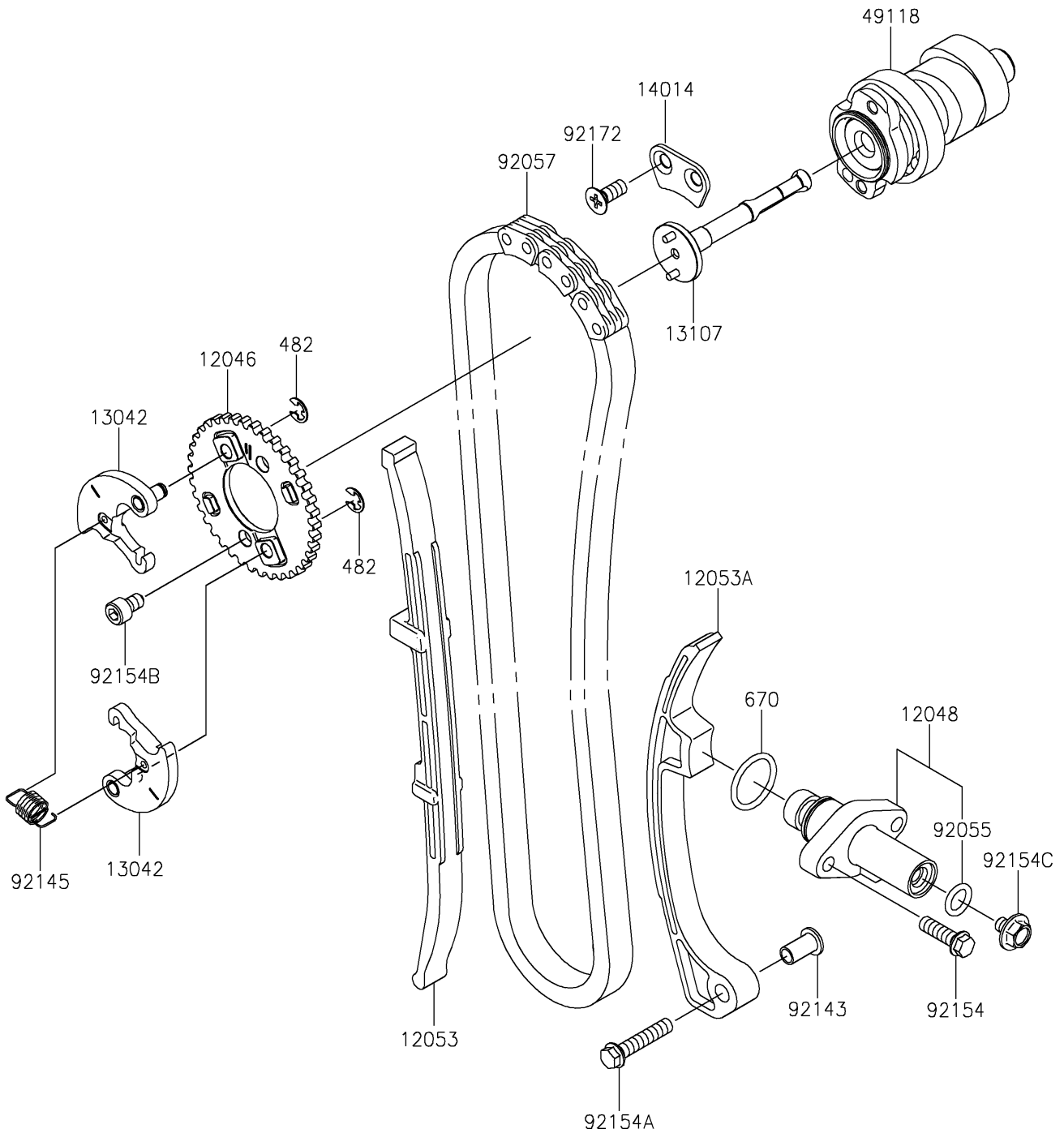


2019 W175 SE (Indonesia Only) PARTS DIAGRAM

Camshaft(s)/Tensioner

E1230



2019 W175 SE (Indonesia Only) PARTS LIST

Camshaft(s)/Tensioner

ITEM NAME	PART NUMBER	QUANTITY
SPROCKET,38T (Ref # 12046)	12046-0595	1
TENSIONER-ASSY (Ref # 12048)	12048-0114	1
GUIDE-CHAIN,FR (Ref # 12053)	12053-0242	1
GUIDE-CHAIN,RR (Ref # 12053A)	12053-0243	1
WEIGHT,DECOMP (Ref # 13042)	13042-0772	2
SHAFT,DECOMP (Ref # 13107)	13107-0028	1
PLATE-POSITION (Ref # 14014)	14014-0009	1
CAMSHAFT-COMP (Ref # 49118)	49118-0909	1
RING-O,2.4X9.8 (Ref # 92055)	92055-0915	1
CHAIN,CAM (Ref # 92057)	92057-0728	1
COLLAR (Ref # 92143)	92143-1857	1
SPRING (Ref # 92145)	92145-0132	1
BOLT,FLANGED,6X20 (Ref # 92154)	92154-2757	2
BOLT,FLANGED,6X30 (Ref # 92154A)	92154-2758	1
BOLT,SOCKET,6X10 (Ref # 92154B)	92154-2759	2
BOLT,FLANGED,6X8 (Ref # 92154C)	92154-3793	1
SCREW,6X15 (Ref # 92172)	92172-1228	2
CIRCLIP-TYPE-E,5MM (Ref # 482)	482J5000	2
O RING (Ref # 670)	670E2021	1