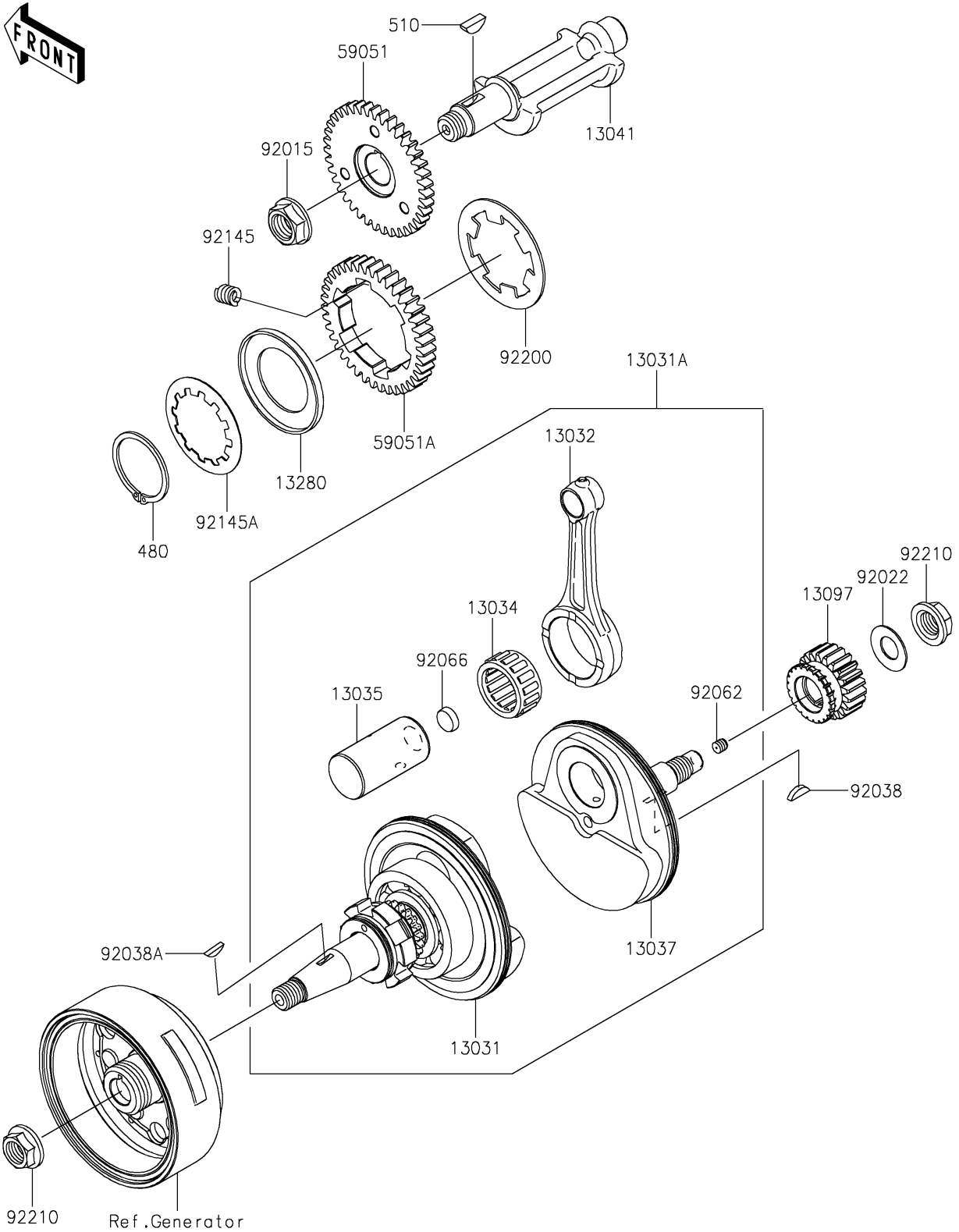


2019 W175 SE (Indonesia Only) PARTS DIAGRAM

Crankshaft

E1321



2019 W175 SE (Indonesia Only) PARTS LIST

Crankshaft

ITEM NAME	PART NUMBER	QUANTITY
CRANKSHAFT-COMP,LH (Ref # 13031)	13031-0876	1
CRANKSHAFT-COMP (Ref # 13031A)	13031-0883	1
ROD-CONNECTING (Ref # 13032)	13032-0765	1
BEARING-BIG END (Ref # 13034)	13034-0025	1
PIN-CRANK (Ref # 13035)	13035-0560	1
CRANKSHAFT,RH (Ref # 13037)	13037-0911	1
BALANCER (Ref # 13041)	13041-0560	1
GEAR-PRIMARY SPUR,21T (Ref # 13097)	13097-0564	1
HOLDER,BALANCER (Ref # 13280)	13280-1121	1
GEAR-SPUR,BALANCER (Ref # 59051)	59051-0792	1
GEAR-SPUR,BALANCER (Ref # 59051A)	59051-0823	1
NUT,16MM (Ref # 92015)	92015-1465	1
WASHER,SPRING,14M/M (Ref # 92022)	92022-1232	1
KEY,WOODRUFF (Ref # 92038)	92038-001	1
KEY,WOODRUFF (Ref # 92038A)	92038-3703	1
NOZZLE (Ref # 92062)	92062-1053	1
PLUG (Ref # 92066)	92066-1249	1
SPRING (Ref # 92145)	92145-1195	6
SPRING (Ref # 92145A)	92145-1196	1
WASHER (Ref # 92200)	92200-1927	1
NUT,14MM (Ref # 92210)	92210-1568	2
CIRCLIP (Ref # 480)	480J4000	1
KEY-WOODRUFF (Ref # 510)	510A5100	1