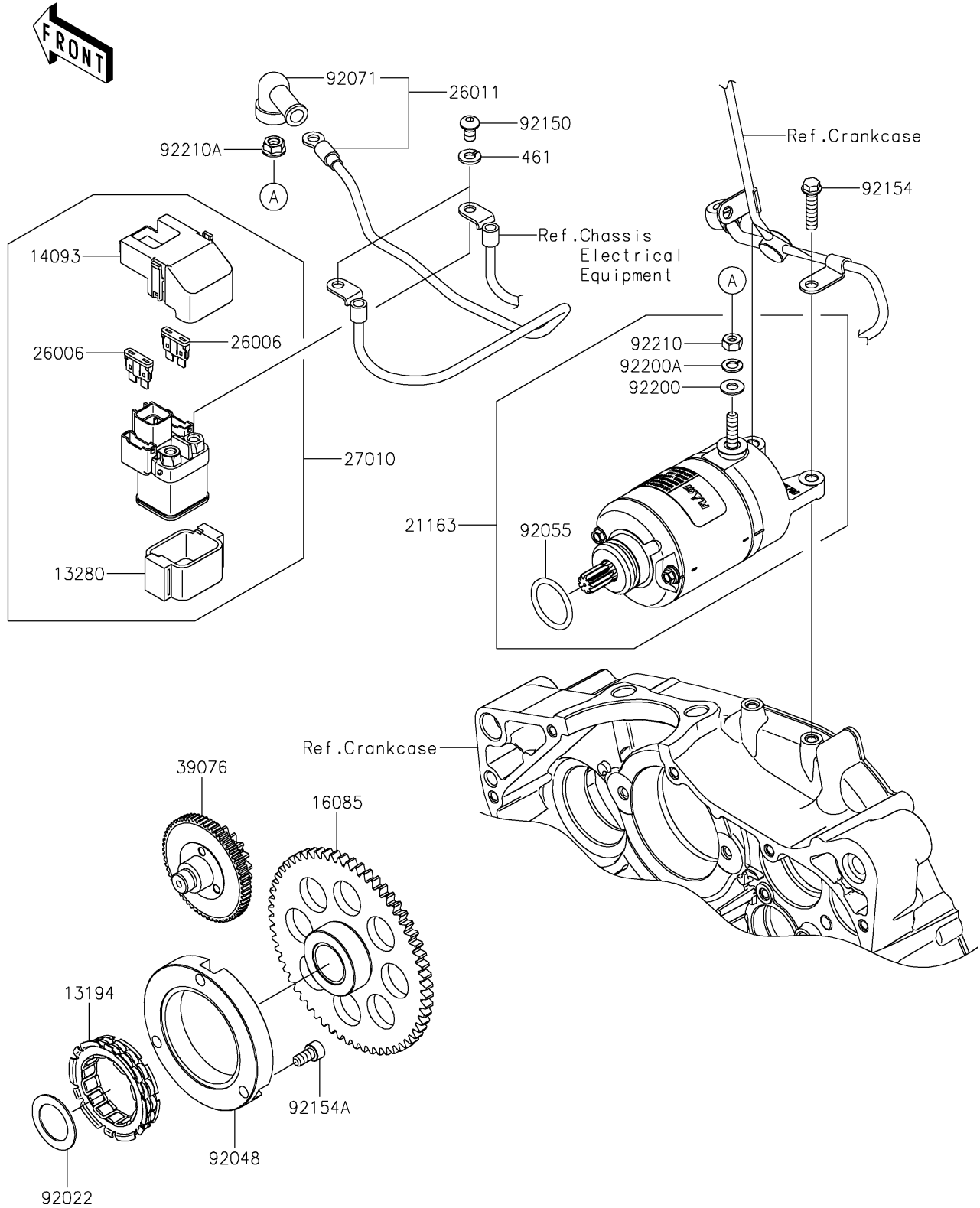


# 2019 W175 SE (Indonesia Only) PARTS DIAGRAM

Starter Motor

E1840



## 2019 W175 SE (Indonesia Only) PARTS LIST

### Starter Motor

ITEM NAME	PART NUMBER	QUANTITY
CLUTCH-ONEWAY (Ref # 13194)	13194-0020	1
HOLDER (Ref # 13280)	13280-0710	1
COVER (Ref # 14093)	14093-0199	1
GEAR (Ref # 16085)	16085-0667	1
STARTER-ELECTRIC (Ref # 21163)	21163-0780	1
FUSE,BLADE,15A,BLUE (Ref # 26006)	26006-1061	2
WIRE-LEAD (Ref # 26011)	26011-0984	1
SWITCH,MAGNETIC (Ref # 27010)	27010-0869	1
LIMITER,STARTER IDLE (Ref # 39076)	39076-0036	1
WASHER,22.3X33X1.0 (Ref # 92022)	92022-1573	1
RACE,CLUTCH ONEWAY (Ref # 92048)	92048-0555	1
RING-O (Ref # 92055)	92055-0822	1
GROMMET (Ref # 92071)	92071-0782	1
BOLT,6X10 (Ref # 92150)	92150-1577	2
BOLT,FLANGED,6X25 (Ref # 92154)	92154-2752	2
BOLT,SOCKET,6X12 (Ref # 92154A)	92154-2770	3
WASHER (Ref # 92200)	92200-1678	1
WASHER (Ref # 92200A)	92200-1679	1
NUT,6MM (Ref # 92210)	92210-0941	1
NUT,6MM (Ref # 92210A)	92210-1577	1
WASHER-SPRING,6MM (Ref # 461)	461DA0600	2