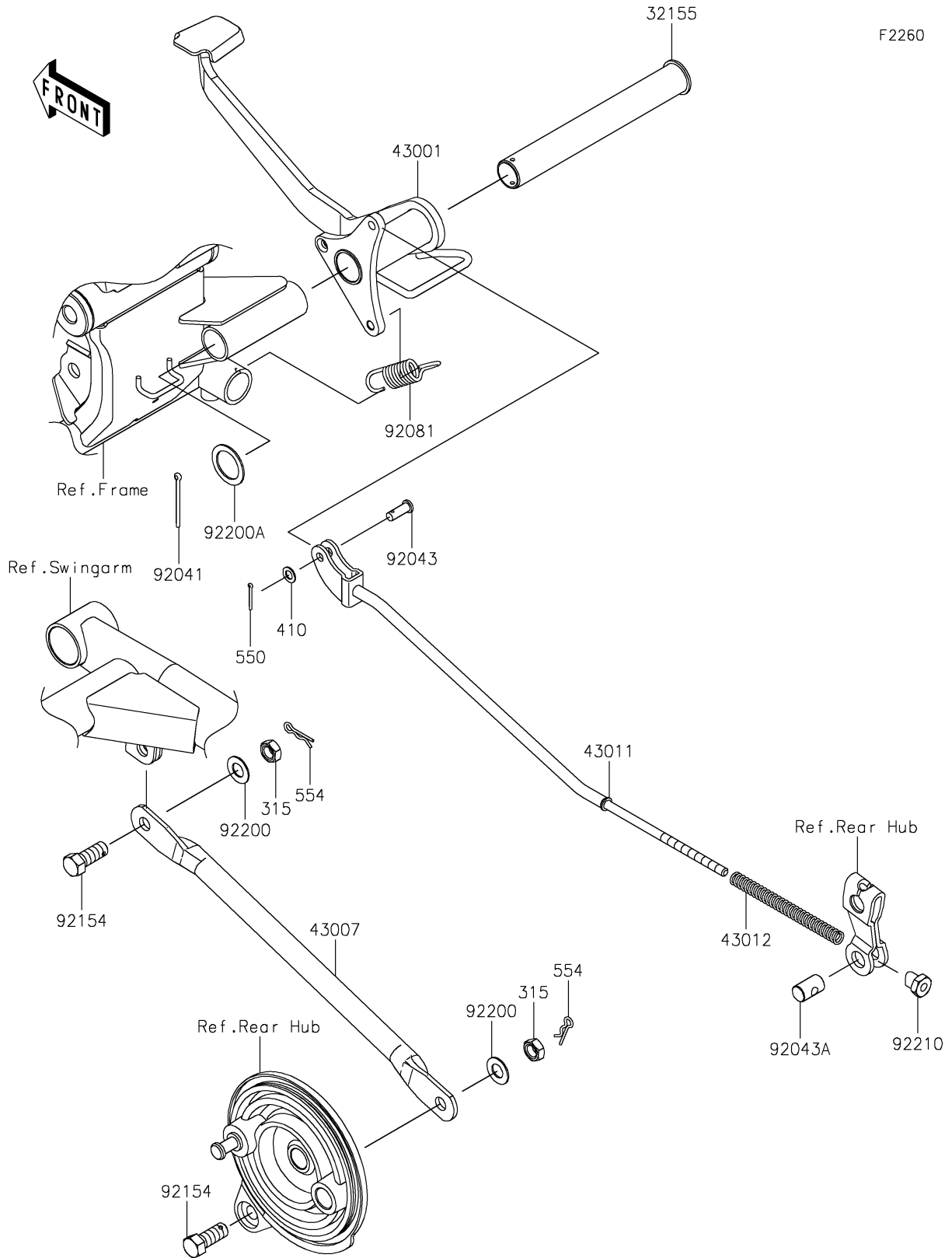


2019 W175 SE PARTS DIAGRAM

Brake Pedal



2019 W175 SE PARTS LIST

Brake Pedal

ITEM NAME	PART NUMBER	QUANTITY
PIPE (Ref # 32155)	32155-2929	1
LEVER-BRAKE (Ref # 43001)	43001-0762	1
ROD-TORQUE (Ref # 43007)	43007-0021	1
ROD-BRAKE (Ref # 43011)	43011-0020	1
SPRING,BRAKE ROD (Ref # 43012)	43012-001	1
COTTER,3X35 (Ref # 92041)	92041-0010	1
PIN,6X17 (Ref # 92043)	92043-064	1
PIN,12X20 (Ref # 92043A)	92043-0930	1
SPRING,BRAKE PEDAL (Ref # 92081)	92081-1313	1
BOLT,10X25 (Ref # 92154)	92154-0767	2
WASHER,10.5X20X1.0 (Ref # 92200)	92200-0870	2
WASHER,21.5X30X1.2 (Ref # 92200A)	92200-1908	1
NUT,6MM (Ref # 92210)	92210-1581	1
NUT-HEX-FINE,10MM (Ref # 315)	315AA1000	2
WASHER-PLAIN-SMALL (Ref # 410)	410AA0600	1
PIN-COTTER,2.0X15 (Ref # 550)	550AA2015	1
PIN-SNAP (Ref # 554)	554DA0800	2