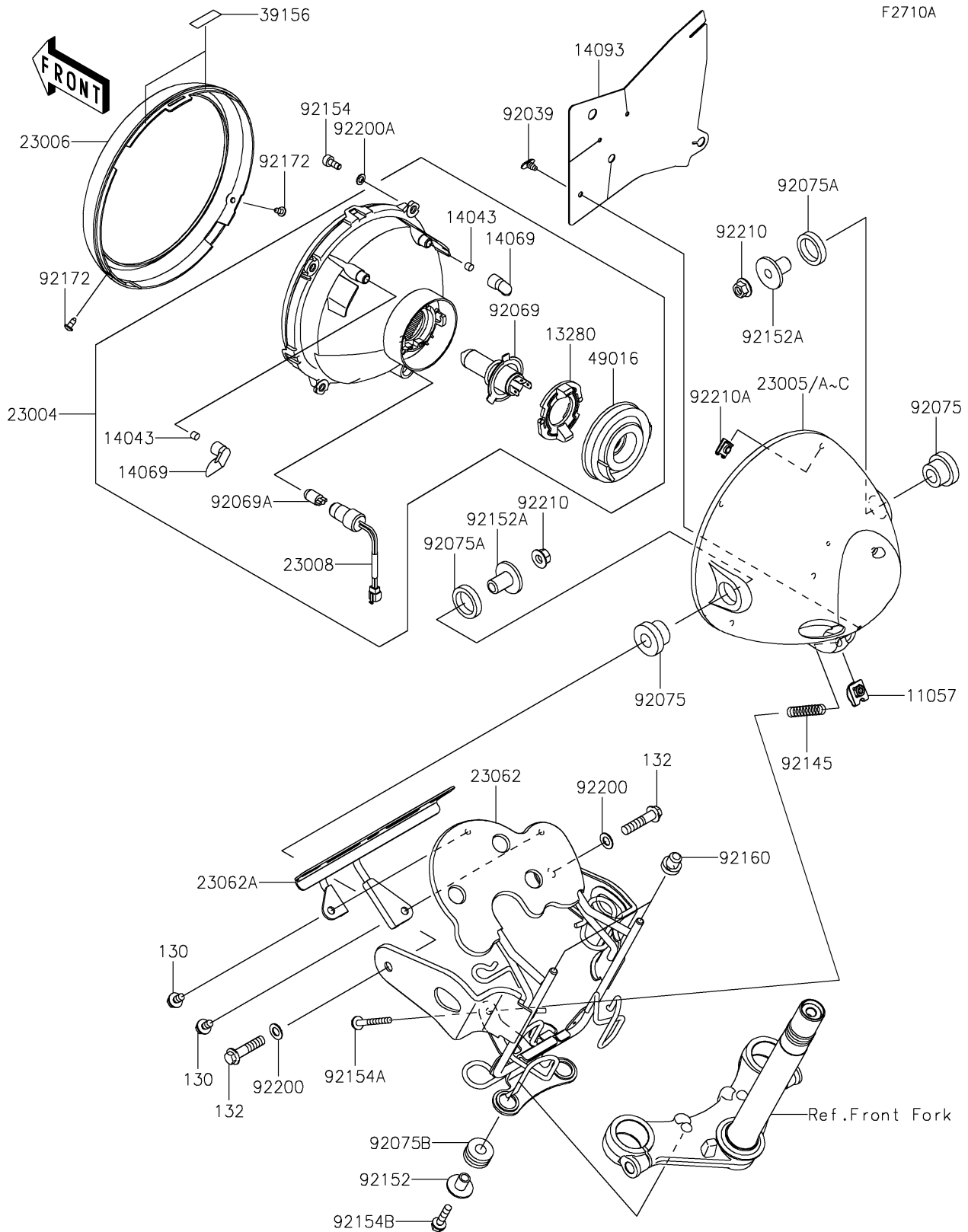


# 2019 W175 SE (Indonesia Only) PARTS DIAGRAM

Headlight(s)(AKF/AKFA)



## 2019 W175 SE (Indonesia Only) PARTS LIST

Headlight(s)(AKF/AKFA)

| ITEM NAME                                    | PART NUMBER    | QUANTITY |
|--|----------------|----------|
| BRACKET (Ref # 11057)                        | 11057-1065     | 1        |
| HOLDER (Ref # 13280)                         | 13280-0902     | 1        |
| FILTER (Ref # 14043)                         | 14043-0020     | 2        |
| BREATHER (Ref # 14069)                       | 14069-0031     | 2        |
| COVER (Ref # 14093)                          | 14093-0754     | 1        |
| LAMP-HEAD (Ref # 23004)                      | 23004-0376     | 1        |
| BODY-COMP-HEAD LAMP,S.C.BLUE (Ref # 23005)   | 23005-0050-62K | 1        |
| BODY-COMP-HEAD LAMP,M.S.BLACK (Ref # 23005A) | 23005-0050-660 | 1        |
| BODY-COMP-HEAD LAMP,M.F.S.BLK (Ref # 23005C) | 23005-0050-739 | 1        |
| RIM-LAMP (Ref # 23006)                       | 23006-0020     | 1        |
| SOCKET-ASSY,POSITION (Ref # 23008)           | 23008-0188     | 1        |
| BRACKET-COMP,LICENSE PLATE (Ref # 23062)     | 23062-1217     | 1        |
| BRACKET-COMP (Ref # 23062A)                  | 23062-1253     | 1        |
| PAD,30X10X0.21 (Ref # 39156)                 | 39156-2352     | 2        |
| COVER-SEAL (Ref # 49016)                     | 49016-0649     | 1        |
| RIVET (Ref # 92039)                          | 92039-0792     | 1        |
| BULB,12V 60/55W,H4 (Ref # 92069)             | 92069-0097     | 1        |
| BULB,12V 5W (Ref # 92069A)                   | 92069-0098     | 1        |
| DAMPER,HEAD LAMP FITTING (Ref # 92075)       | 92075-1109     | 2        |
| DAMPER,HEAD LAMP FITTING (Ref # 92075A)      | 92075-1110     | 2        |
| DAMPER,10X24X12 (Ref # 92075B)               | 92075-1690     | 2        |
| SPRING (Ref # 92145)                         | 92145-1788     | 1        |
| COLLAR (Ref # 92152)                         | 92152-0697     | 2        |
| COLLAR (Ref # 92152A)                        | 92152-2578     | 2        |
| BOLT,SOCKET,5X14 (Ref # 92154)               | 92154-2772     | 4        |
| BOLT,FLANGED,5X45 (Ref # 92154A)             | 92154-2773     | 1        |
| BOLT,FLANGED,6X25 (Ref # 92154B)             | 92154-2774     | 2        |
| DAMPER (Ref # 92160)                         | 92160-1303     | 2        |
| SCREW,CROS,4X9.5 (Ref # 92172)               | 92172-1208     | 2        |

## 2019 W175 SE (Indonesia Only) PARTS LIST

Headlight(s)(AKF/AKFA)

| ITEM NAME                           | PART NUMBER | QUANTITY |
|-------------------------------------|-------------|----------|
| WASHER,8.2X15X1 (Ref # 92200)       | 92200-0742  | 2        |
| WASHER,5.8X10X0.8 (Ref # 92200A)    | 92200-1983  | 4        |
| NUT,8MM (Ref # 92210)               | 92210-0773  | 2        |
| NUT,CLIP,5MM (Ref # 92210A)         | 92210-1666  | 4        |
| BOLT-FLANGED,6X10 (Ref # 130)       | 130BB0610   | 2        |
| BOLT-FLANGED-SMALL,8X35 (Ref # 132) | 132BA0835   | 2        |