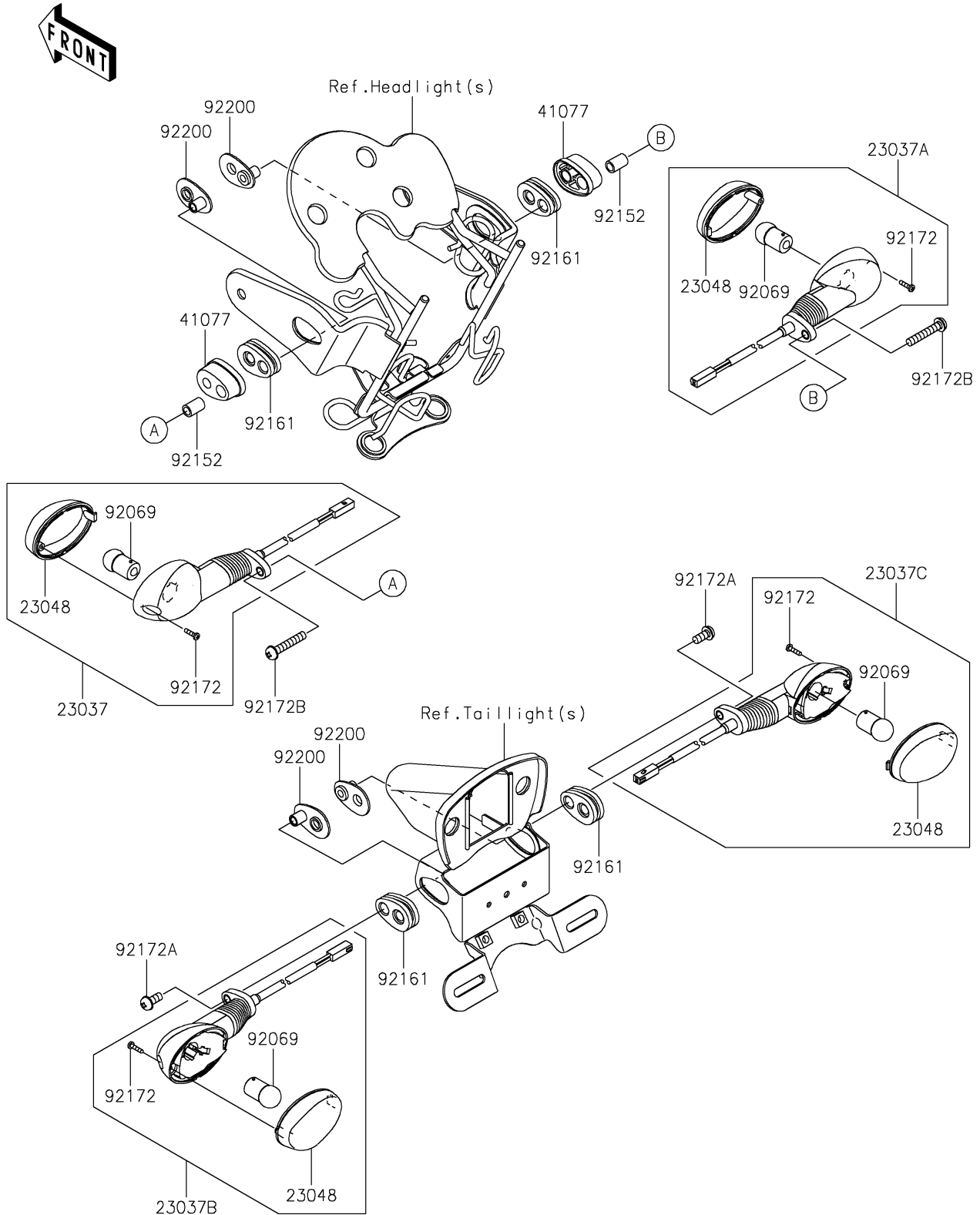


2019 W175 SE (Indonesia Only) PARTS DIAGRAM

Turn Signals

F2730



2019 W175 SE (Indonesia Only) PARTS LIST

Turn Signals

| ITEM NAME | PART NUMBER | QUANTITY |
|---------------------------------------|-------------|----------|
| LAMP-ASSY-SIGNAL,FR,LH (Ref # 23037) | 23037-0368 | 1 |
| LAMP-ASSY-SIGNAL,FR,RH (Ref # 23037A) | 23037-0369 | 1 |
| LAMP-ASSY-SIGNAL,RR,LH (Ref # 23037B) | 23037-0370 | 1 |
| LAMP-ASSY-SIGNAL,RR,RH (Ref # 23037C) | 23037-0371 | 1 |
| LENS-SIGNAL LAMP (Ref # 23048) | 23048-0033 | 4 |
| ADAPTER (Ref # 41077) | 41077-0717 | 2 |
| BULB,12V 10W (Ref # 92069) | 92069-0003 | 4 |
| COLLAR,6.8X10X15.2 (Ref # 92152) | 92152-2150 | 2 |
| DAMPER,SIGNAL LAMP (Ref # 92161) | 92161-0828 | 4 |
| SCREW,TAPPING,2.9X13 (Ref # 92172) | 92172-0343 | 4 |
| SCREW,6X14 (Ref # 92172A) | 92172-0497 | 2 |
| SCREW,6X35 (Ref # 92172B) | 92172-0918 | 2 |
| WASHER (Ref # 92200) | 92200-1972 | 4 |