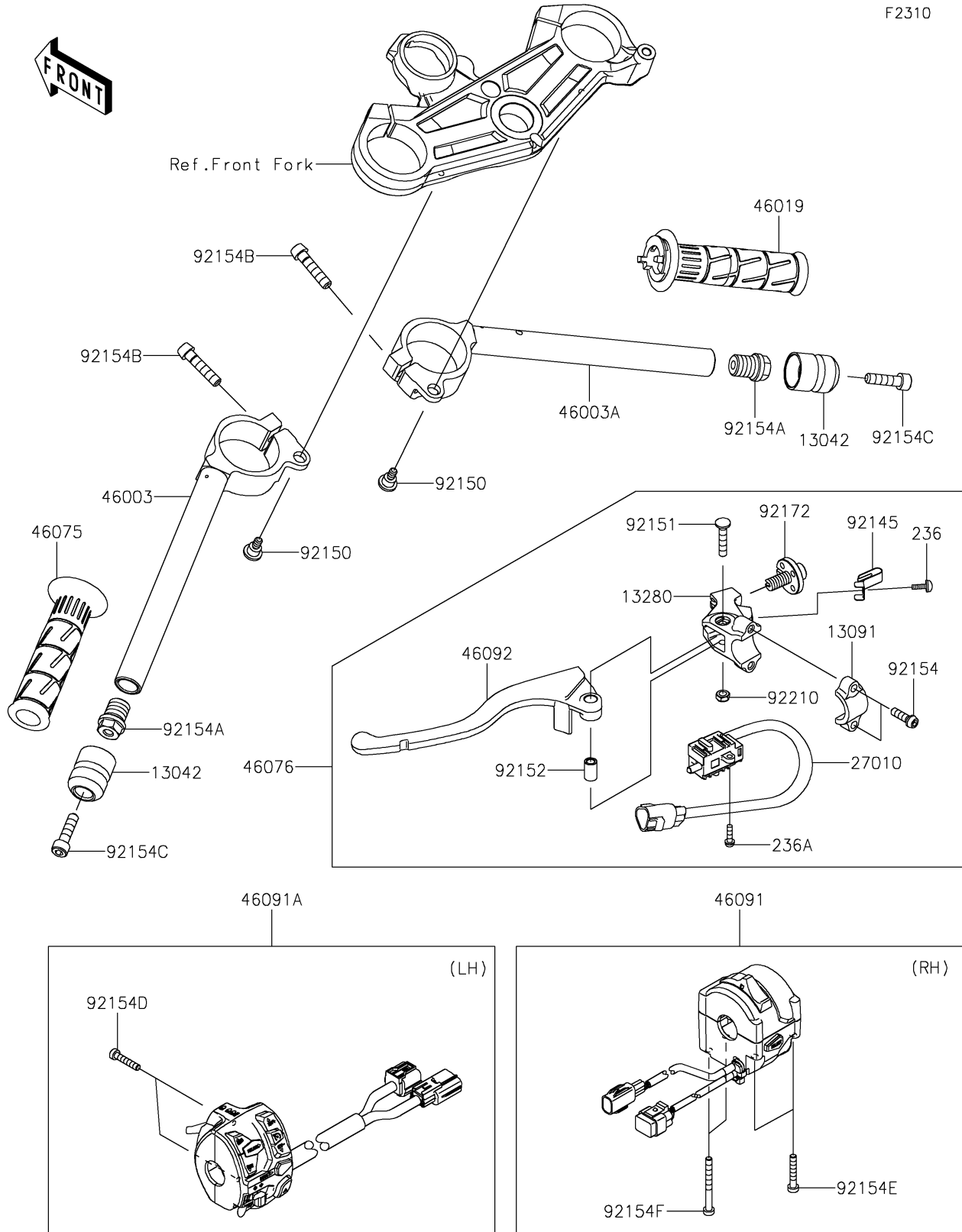


2021 Ninja® ZX™ -10R ABS PARTS DIAGRAM

Handlebar



F2310

2021 Ninja® ZX™-10R ABS PARTS LIST

Handlebar

ITEM NAME	PART NUMBER	QUANTITY
WEIGHT,HANDLE (Ref # 13042)	13042-5032	2
HOLDER,CLUTCH LEVER (Ref # 13091)	13091-1624	1
HOLDER (Ref # 13280)	13280-1319	1
SWITCH,CLUTCH (Ref # 27010)	27010-0971	1
HANDLE,LH (Ref # 46003)	46003-0786	1
HANDLE,RH (Ref # 46003A)	46003-0787	1
GRIP-ASSY,THROTTLE (Ref # 46019)	46019-0100	1
GRIP,HANDLE,LH (Ref # 46075)	46075-1144	1
LEVER-ASSY-GRIP,CLUTCH (Ref # 46076)	46076-0184	1
HOUSING-ASSY-CONTROL,RH (Ref # 46091)	46091-0574	1
HOUSING-ASSY-CONTROL,LH (Ref # 46091A)	46091-0576	1
LEVER-GRIP (Ref # 46092)	46092-0581	1
SPRING (Ref # 92145)	92145-1286	1
BOLT,6MM (Ref # 92150)	92150-1090	2
BOLT (Ref # 92151)	92151-1523	1
COLLAR (Ref # 92152)	92152-0103	1
BOLT,SOCKET,6X20 (Ref # 92154)	92154-1644	2
BOLT,17X18 (Ref # 92154A)	92154-1902	2
BOLT,SOCKET,8X35 (Ref # 92154B)	92154-1969	2
BOLT,SOCKET,8X30 (Ref # 92154C)	92154-2292	2
BOLT,SOCKET,5X25 (Ref # 92154D)	92154-2596	2
BOLT,5X30 (Ref # 92154E)	92154-3921	2
BOLT,5X50 (Ref # 92154F)	92154-3922	2
SCREW,ADJUST NUT (Ref # 92172)	92172-1060	1
NUT,LOCK,6MM (Ref # 92210)	92210-1544	1
SCREW-PAN-WSP-CROS,4X10 (Ref # 236)	236AB0410	1
SCREW-PAN-WSP-CROS (Ref # 236A)	236AB0416	1