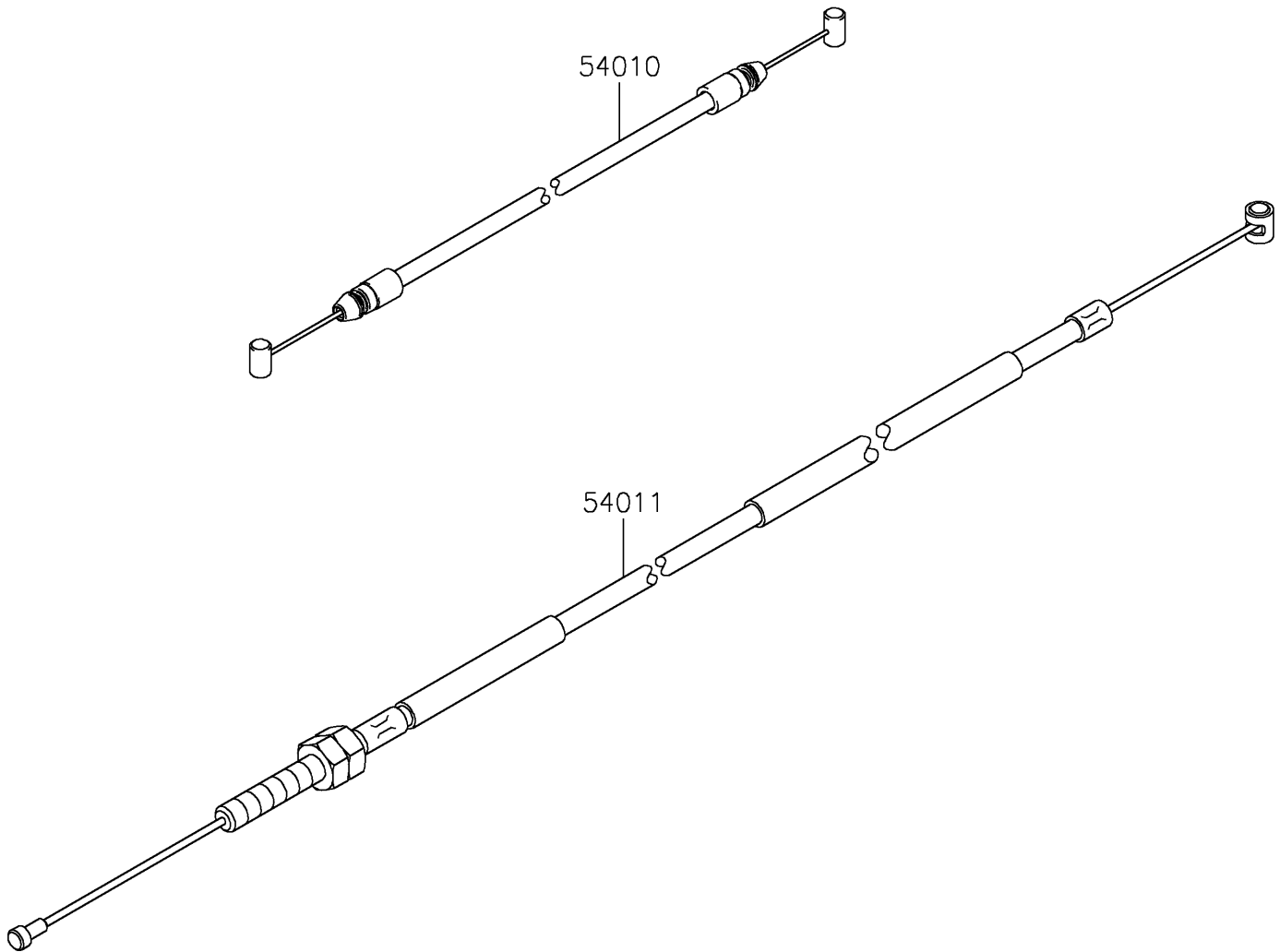


# 2021 NINJA<sup>®</sup> ZX<sup>™</sup>-10R PARTS DIAGRAM

Cables

F2540



## 2021 NINJA® ZX™ -10R PARTS LIST

### Cables

ITEM NAME	PART NUMBER	QUANTITY
CABLE,SEAT LOCK (Ref # 54010)	54010-0029	1
CABLE-CLUTCH (Ref # 54011)	54011-0658	1