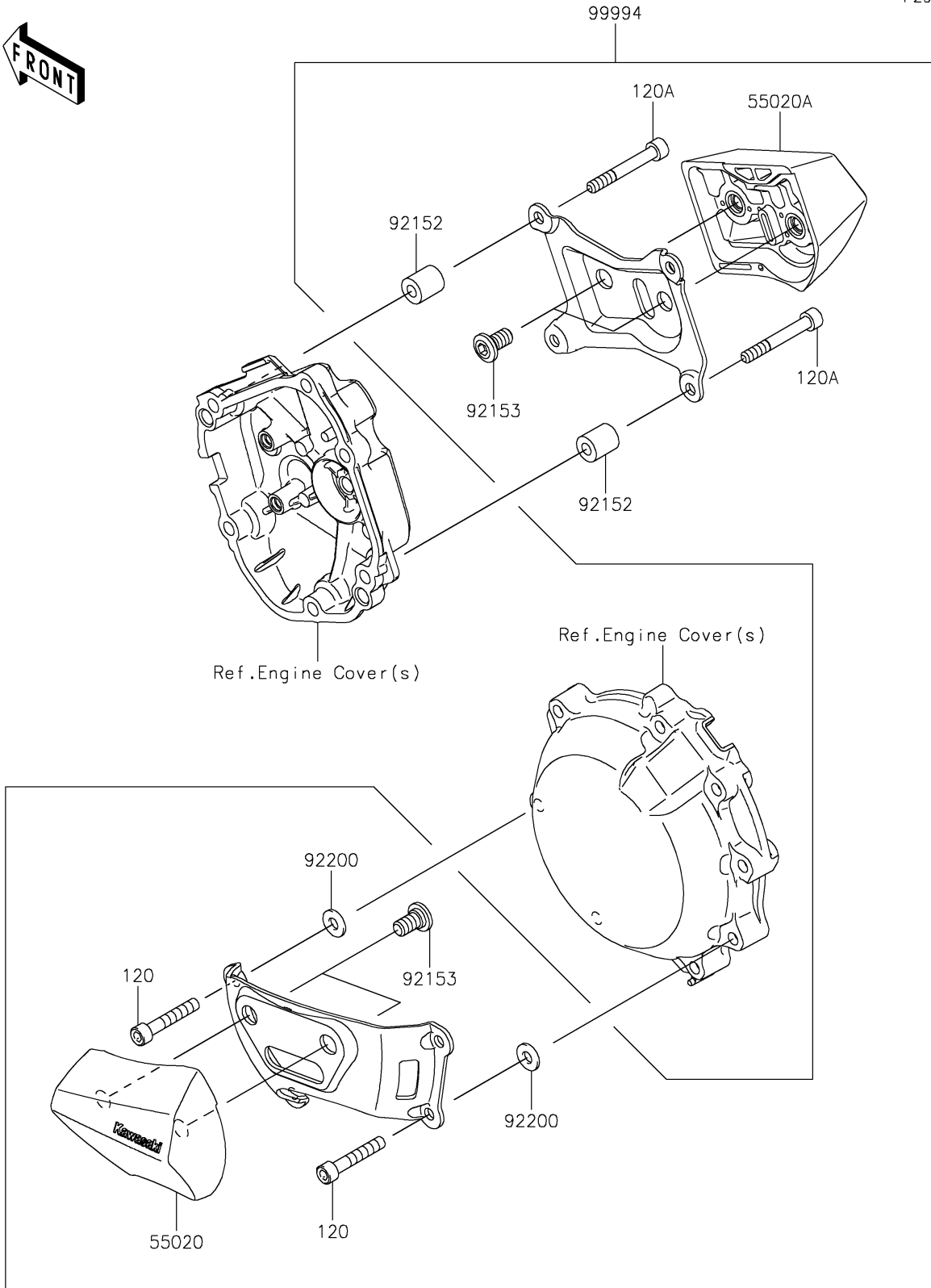


# 2021 NINJA® ZX™ -10R PARTS DIAGRAM

Accessory(Slider)

F2910



## 2021 NINJA® ZX™ -10R PARTS LIST

Accessory(Slider)

ITEM NAME	PART NUMBER	QUANTITY
GUARD,ENGINE,LH (Ref # 55020)	55020-0595	1
GUARD,ENGINE,RH (Ref # 55020A)	55020-0596	1
COLLAR,6.5X14X16 (Ref # 92152)	92152-0940	4
BOLT,SOCKET,8X15 (Ref # 92153)	92153-1810	4
WASHER,6.5X14.5X1.5 (Ref # 92200)	92200-3775	4
KIT-ACCESSORY,SLIDER (Ref # 99994)	99994-0210	1
BOLT-SOCKET,6X35 (Ref # 120)	120CC0635	4
BOLT-SOCKET,6X45 (Ref # 120A)	120CC0645	4