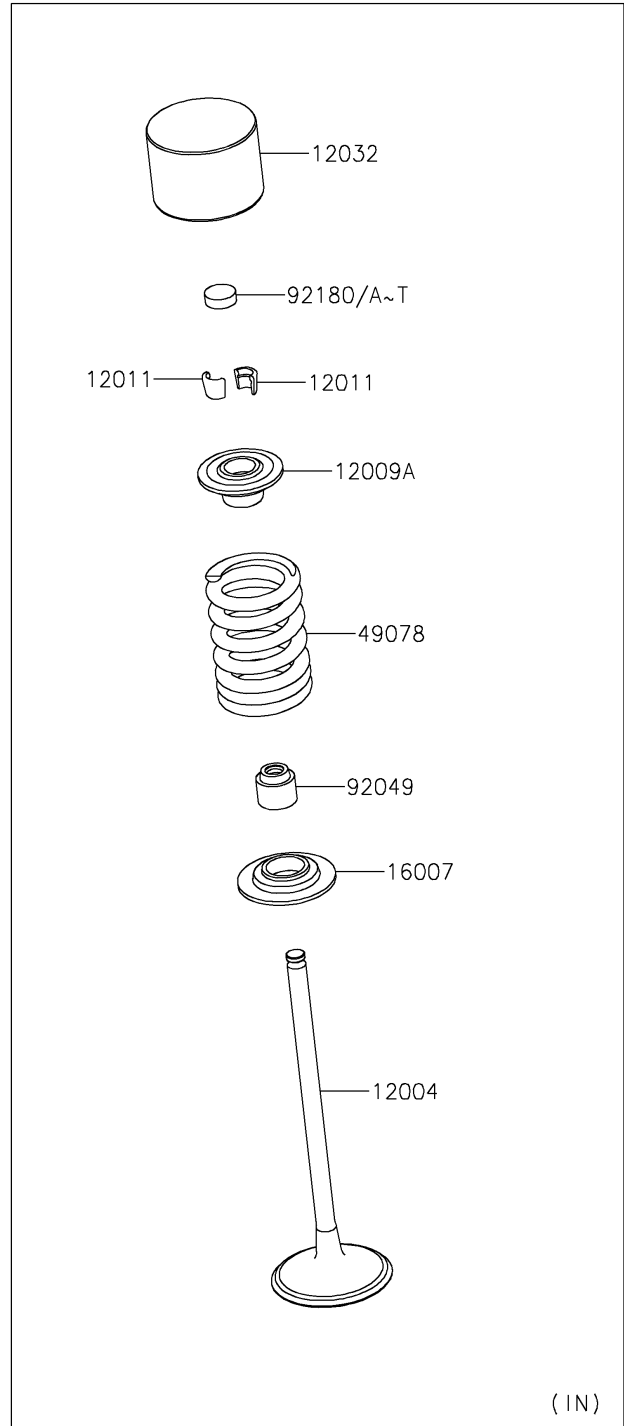
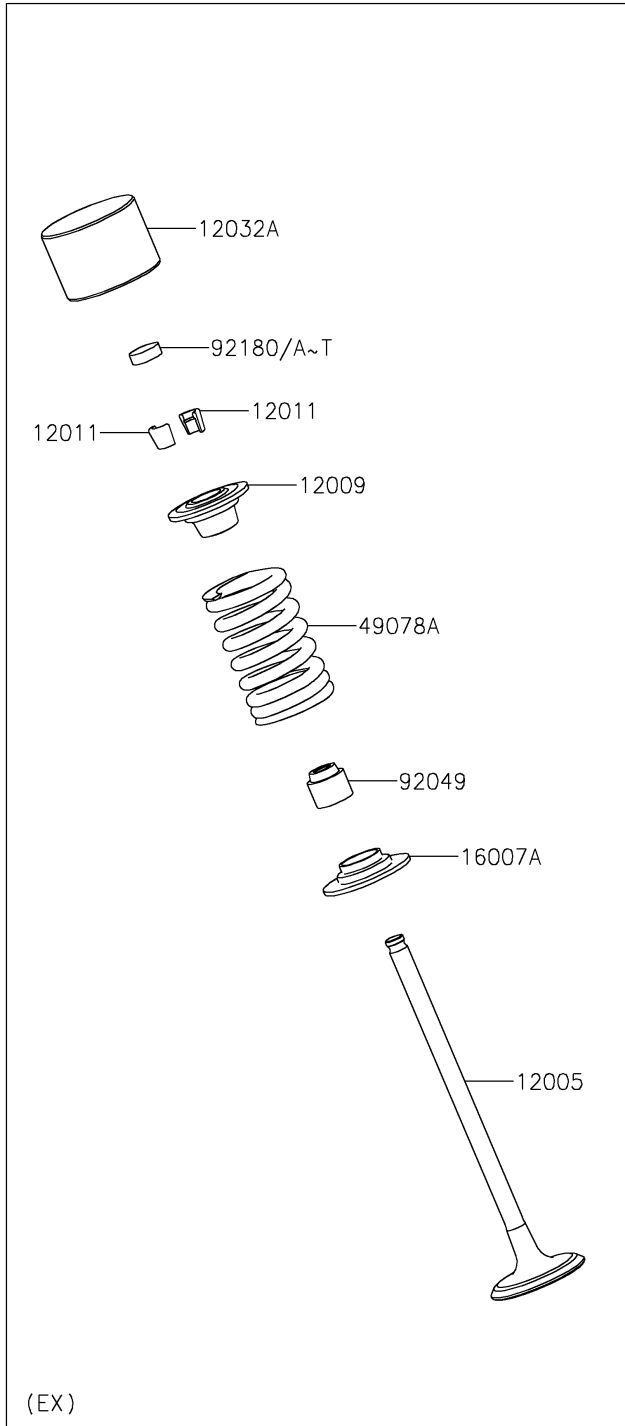


2019 Z900RS ABS PARTS DIAGRAM

Valve(s)

E1210



2019 Z900RS ABS PARTS LIST

Valve(s)

ITEM NAME	PART NUMBER	QUANTITY
-----------	-------------	----------