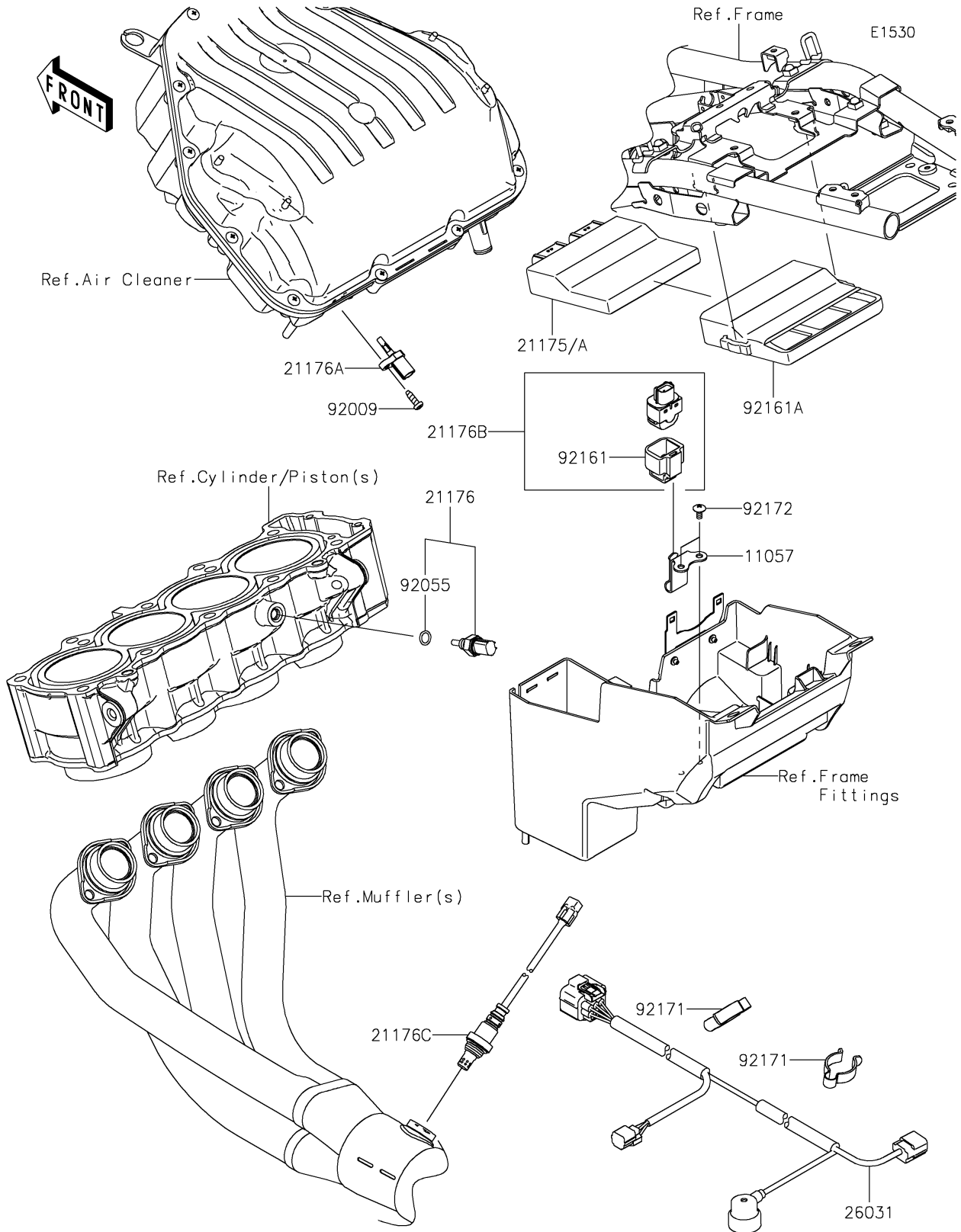


2020 Z900RS ABS PARTS DIAGRAM

Fuel Injection



2020 Z900RS ABS PARTS LIST

Fuel Injection

ITEM NAME	PART NUMBER	QUANTITY
BRACKET,VEHICLE DOWN SENSOR (Ref # 11057)	11057-0896	1
CONTROL UNIT-ELECTRONIC (Ref # 21175)	21175-1313	1
SENSOR,WATER TEMP (Ref # 21176)	21176-0009	1
SENSOR,AIR TEMPERATURE (Ref # 21176A)	21176-0048	1
SENSOR,VEHICLE-DOWN (Ref # 21176B)	21176-0704	1
SENSOR,OXYGEN (Ref # 21176C)	21176-0851	1
HARNESS,SUB (Ref # 26031)	26031-2282	1
SCREW,TAPPING,5X16 (Ref # 92009)	92009-1984	1
RING-O,9.5X1.9 (Ref # 92055)	92055-0016	1
DAMPER (Ref # 92161)	92161-0951	1
DAMPER,ECU (Ref # 92161A)	92161-1965	1
CLAMP,CABLE (Ref # 92171)	92171-1283	2
SCREW,TAPPING,5X10 (Ref # 92172)	92172-0262	2