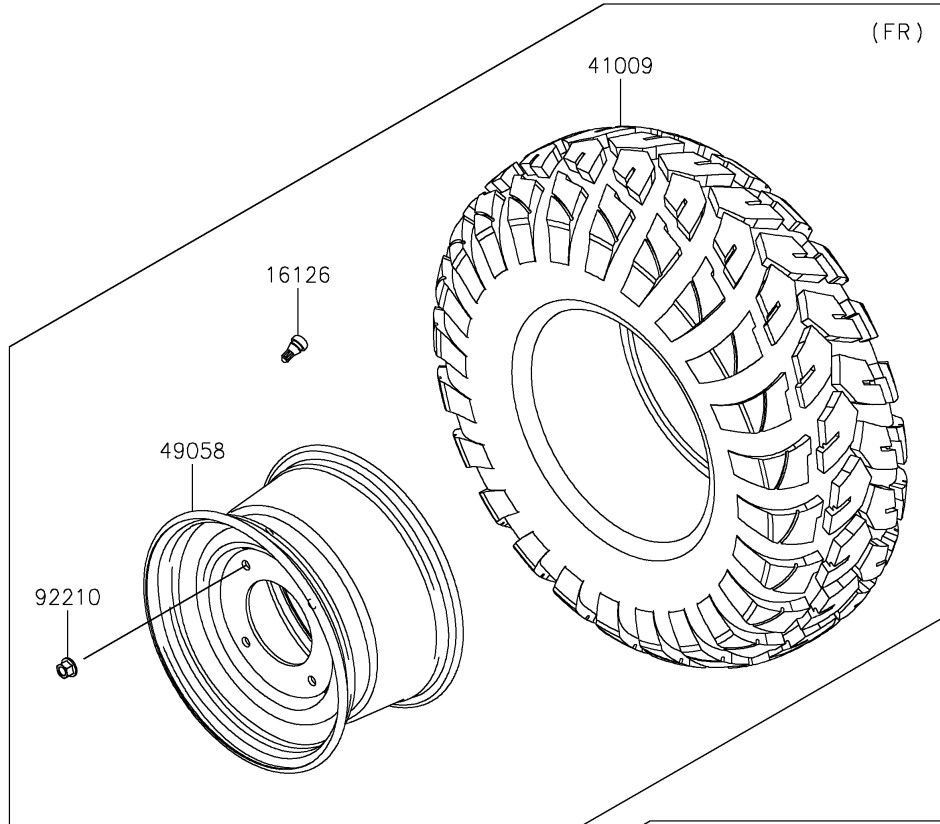
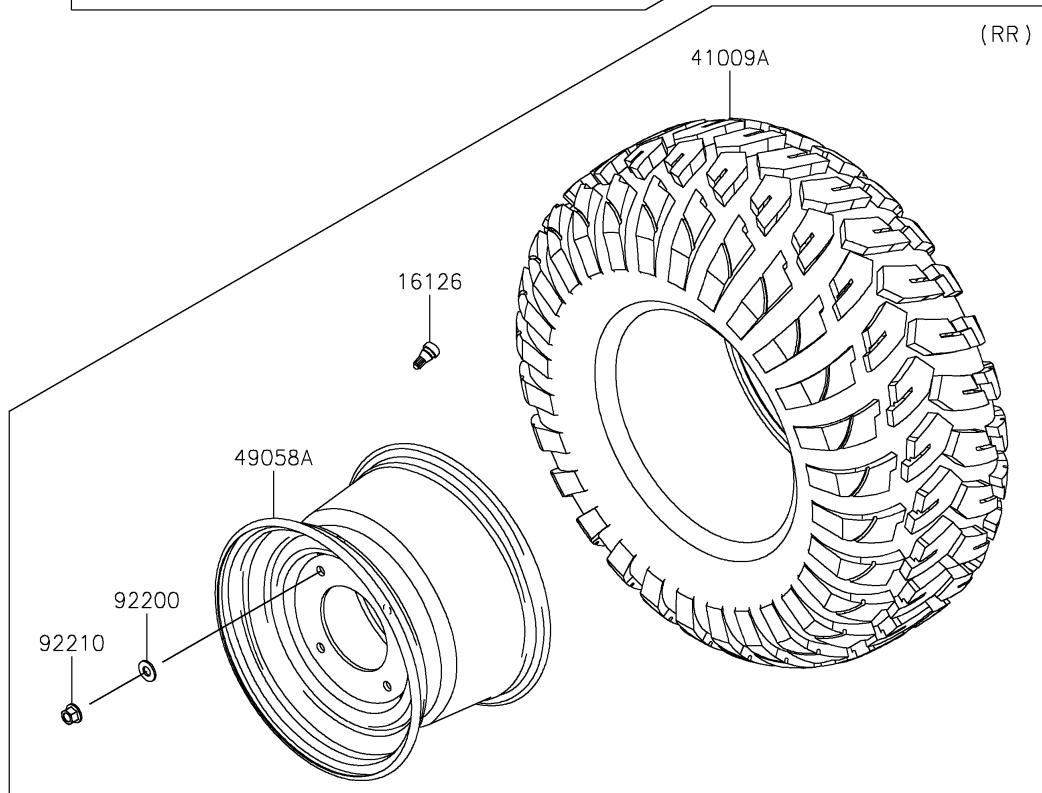


# 2021 MULE PRO-FXT™ EPS PARTS DIAGRAM

Wheels/Tires



F2210



## 2021 MULE PRO-FXT™ EPS PARTS LIST

### Wheels/Tires

| ITEM NAME                                    | PART NUMBER    | QUANTITY |
|--|----------------|----------|
| VALVE (Ref # 16126)                          | 16126-4001     | 4        |
| TIRE,26X9.00R12 4PR,FRONTIER (Ref # 41009)   | 41009-0567     | 2        |
| TIRE,26X11.00R12 4PR,FRONTIER (Ref # 41009A) | 41009-0568     | 2        |
| WHEEL,FR,12X7.0AT,F.S.BLACK (Ref # 49058)    | 49058-0608-397 | 2        |
| WHEEL,RR,12X8.0AT,F.S.BLACK (Ref # 49058A)   | 49058-0611-397 | 2        |
| WASHER,12.1X26X2.3 (Ref # 92200)             | 92200-0930     | 8        |
| NUT,12MM (Ref # 92210)                       | 92210-0603     | 16       |