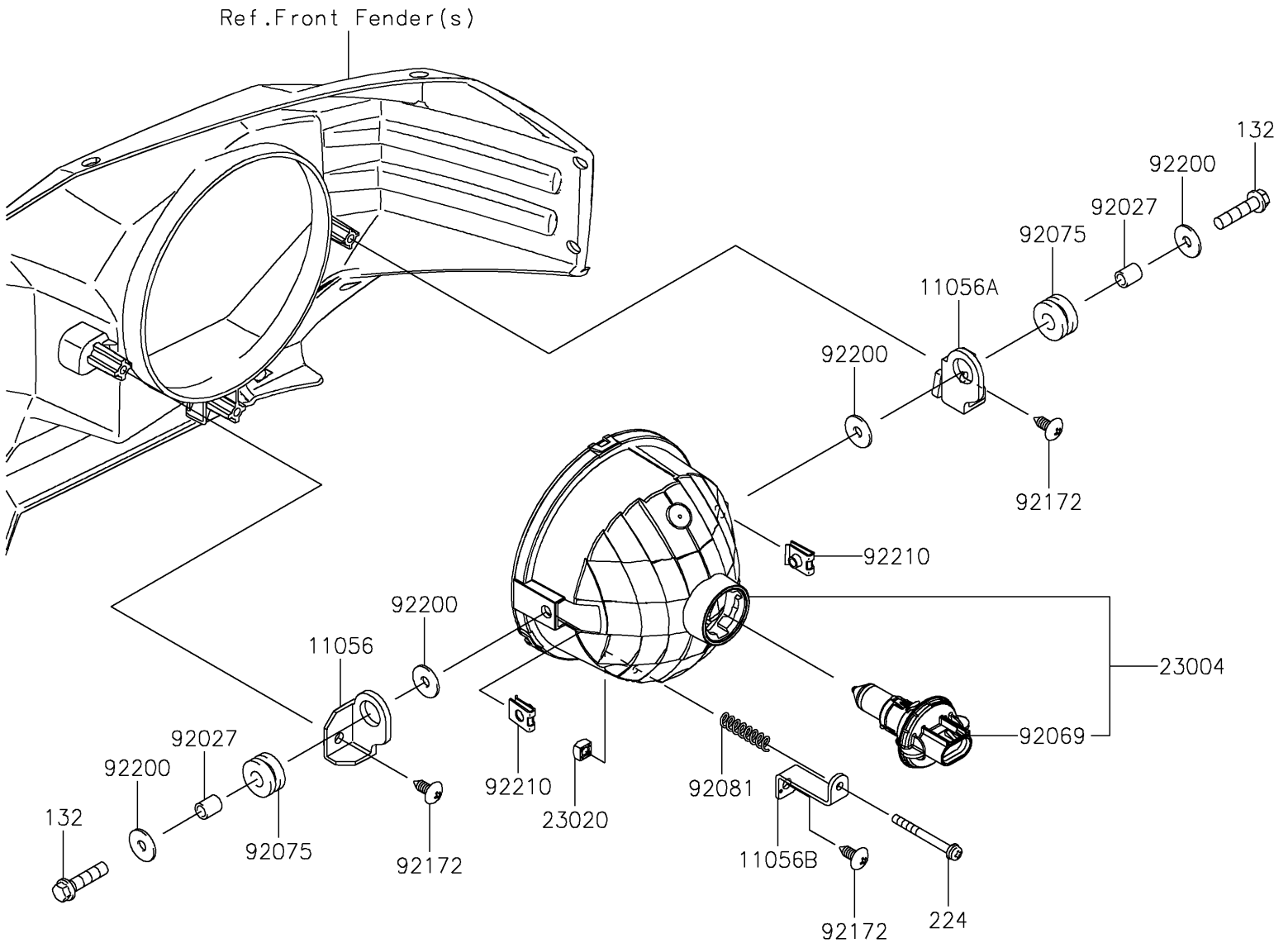


# 2021 MULE PRO-FXT™ EPS PARTS DIAGRAM

Headlight(s)

F2710



## 2021 MULE PRO-FXT™ EPS PARTS LIST

Headlight(s)

ITEM NAME	PART NUMBER	QUANTITY
-----------	-------------	----------