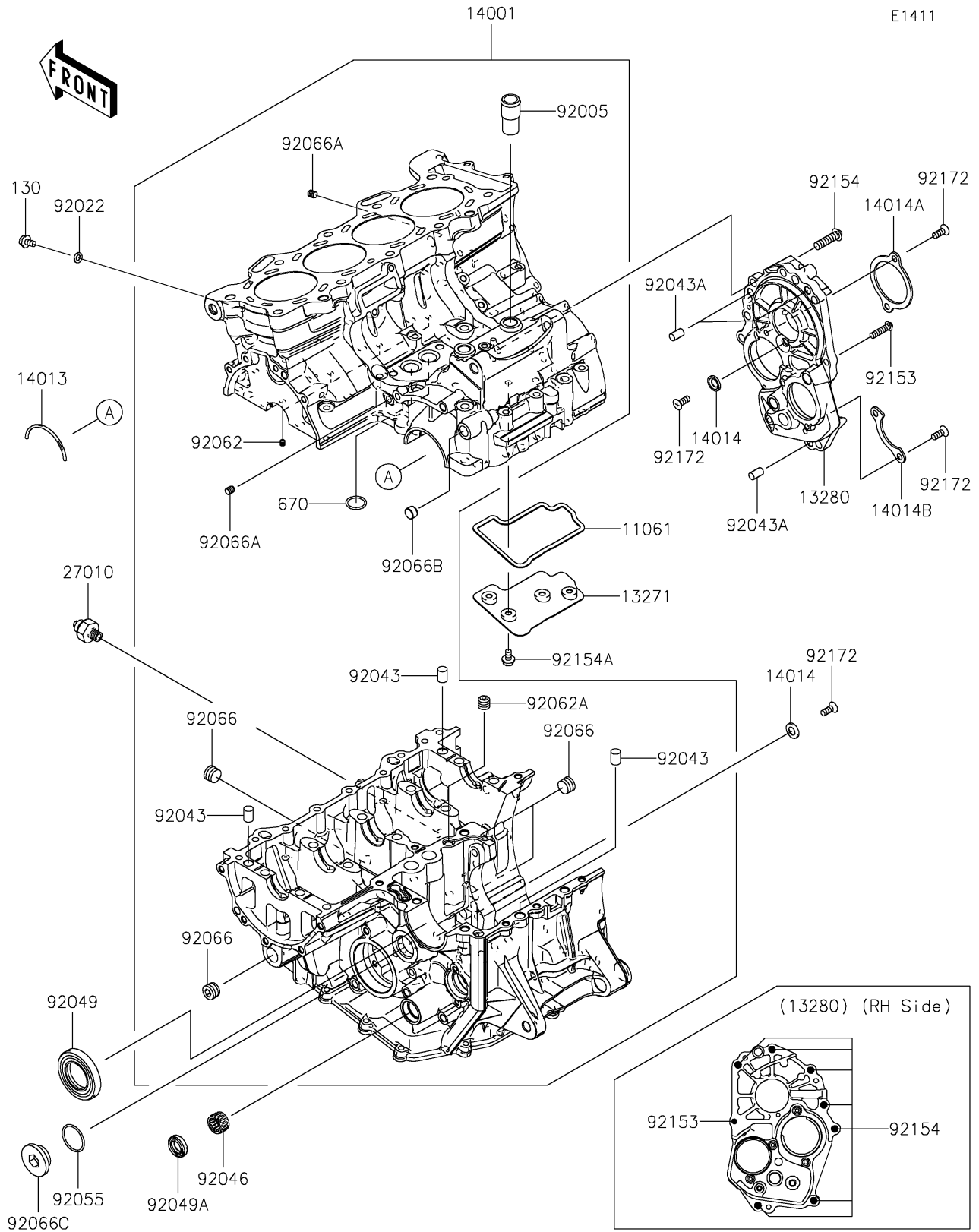


# 2021 Ninja® ZX™ -6R PARTS DIAGRAM

## Crankcase



# 2021 Ninja® ZX™ -6R PARTS LIST

Crankcase

ITEM NAME	PART NUMBER	QUANTITY
-----------	-------------	----------