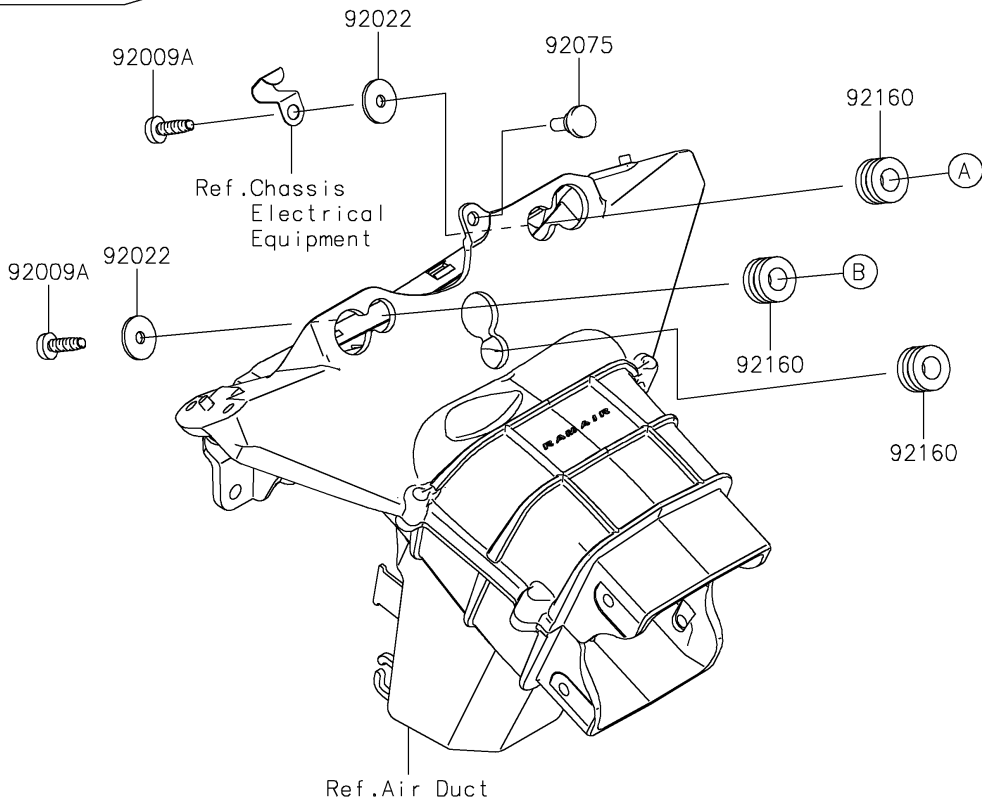
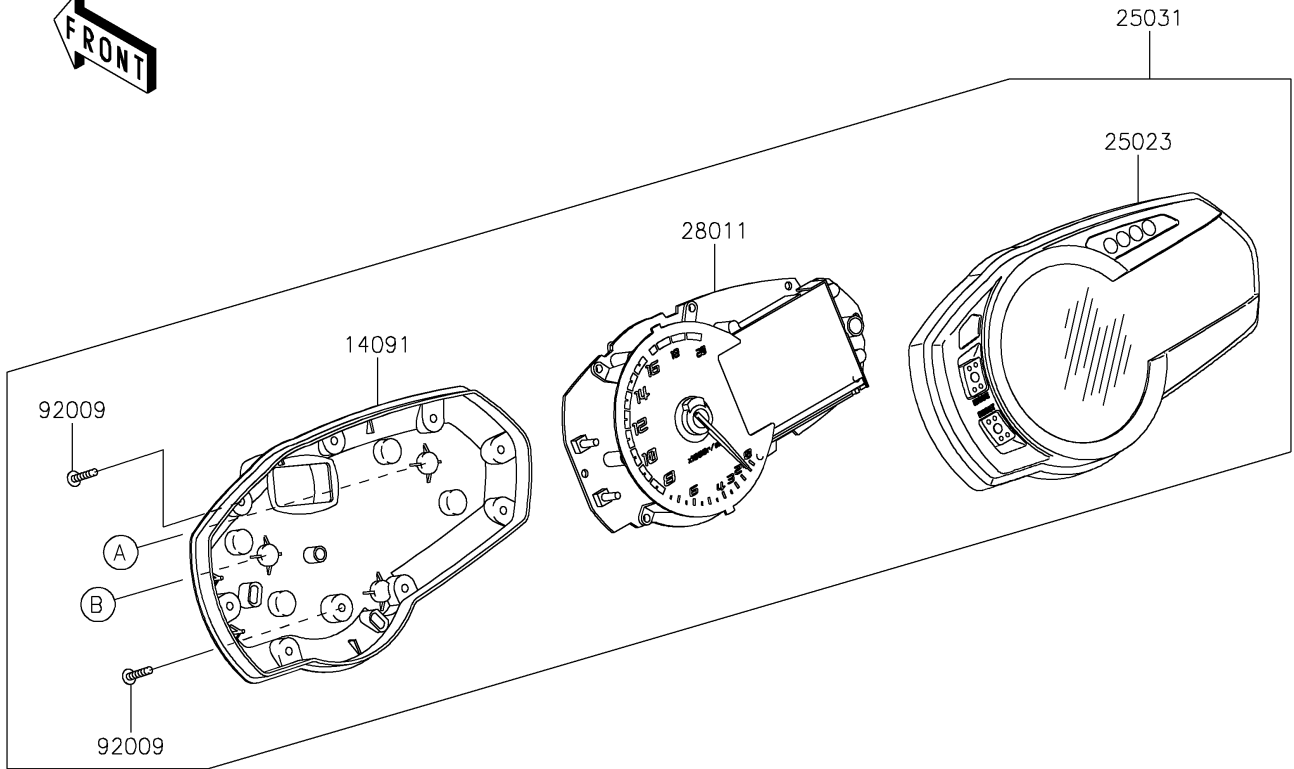


# 2021 Ninja® ZX™ -6R PARTS DIAGRAM

Meter(s)

F2530



# 2021 Ninja® ZX™ -6R PARTS LIST

Meter(s)

ITEM NAME	PART NUMBER	QUANTITY
-----------	-------------	----------