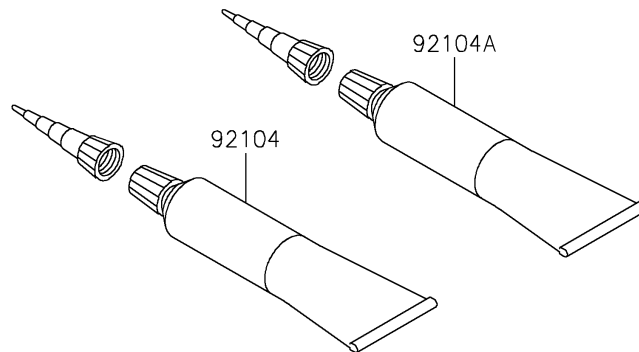
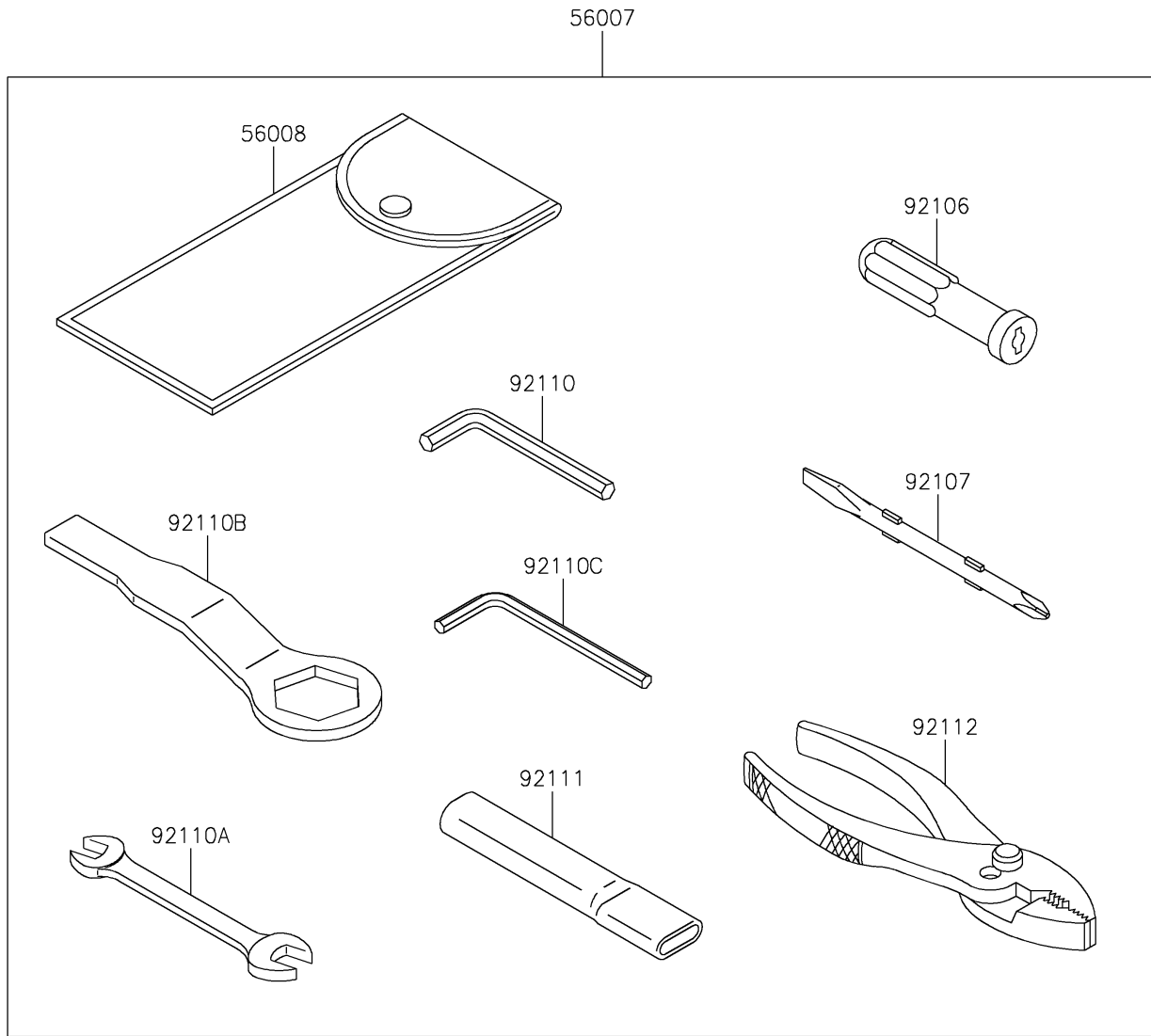


2021 Ninja® ZX™ -6R PARTS DIAGRAM

Owner's Tools

F2810



2021 Ninja® ZX™ -6R PARTS LIST

Owner's Tools

ITEM NAME	PART NUMBER	QUANTITY
-----------	-------------	----------