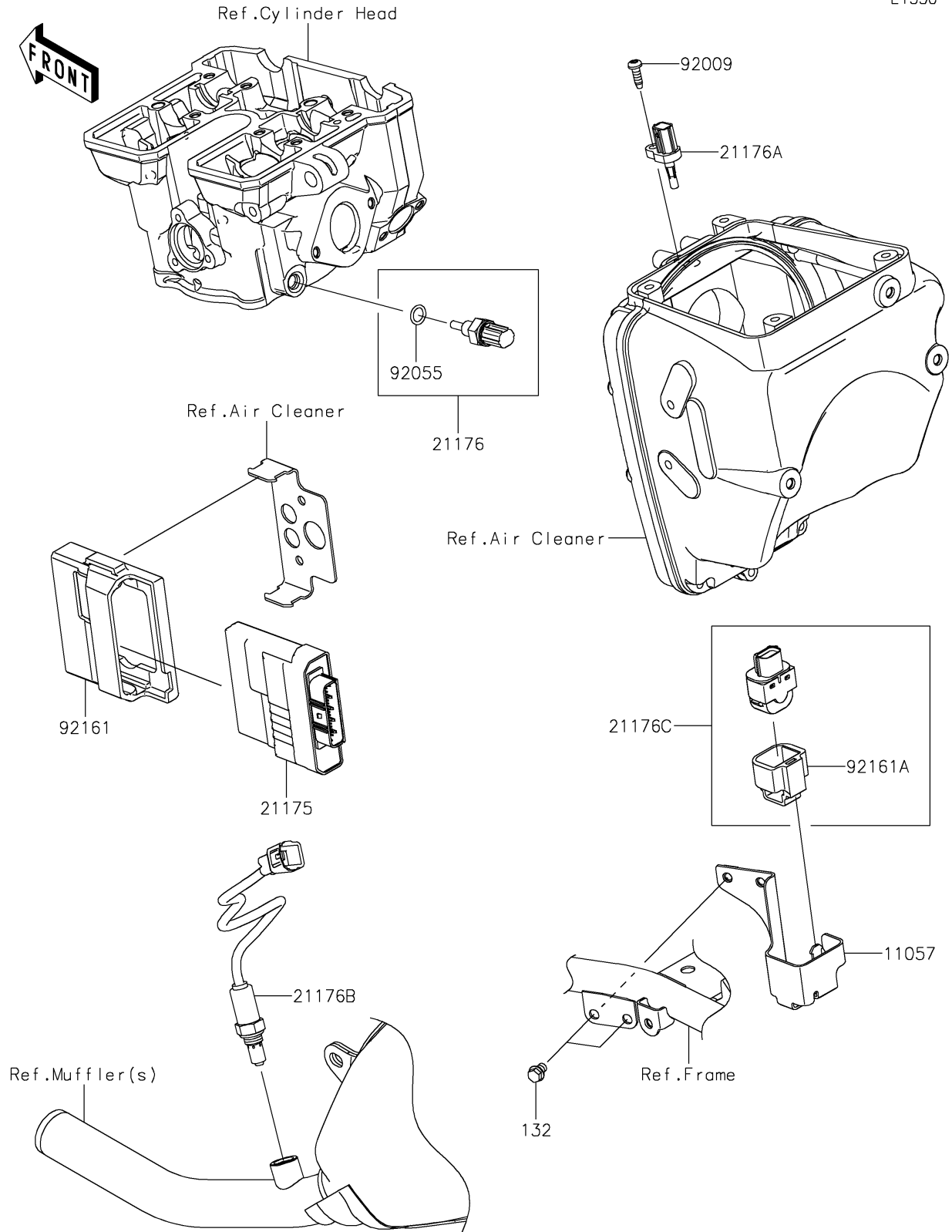


# 2021 KLX® 300SM PARTS DIAGRAM

## Fuel Injection

E1530



## 2021 KLX®300SM PARTS LIST

### Fuel Injection

ITEM NAME	PART NUMBER	QUANTITY
BRACKET (Ref # 11057)	11057-7098	1
BOLT-FLANGED-SMALL,6X8 (Ref # 132)	132BB0608	2
CONTROL UNIT-ELECTRONIC (Ref # 21175)	21175-1728	1
SENSOR,WATER TEMP (Ref # 21176)	21176-0009	1
SENSOR,AIR TEMPERATURE (Ref # 21176A)	21176-0048	1
SENSOR,OXYGEN (Ref # 21176B)	21176-0094	1
SENSOR,VEHICLE-DOWN (Ref # 21176C)	21176-0704	1
SCREW,TAPPING,5X16 (Ref # 92009)	92009-1984	1
RING-O,9.5X1.9 (Ref # 92055)	92055-0016	1
DAMPER,ECU (Ref # 92161)	92161-0462	1
DAMPER (Ref # 92161A)	92161-0951	1