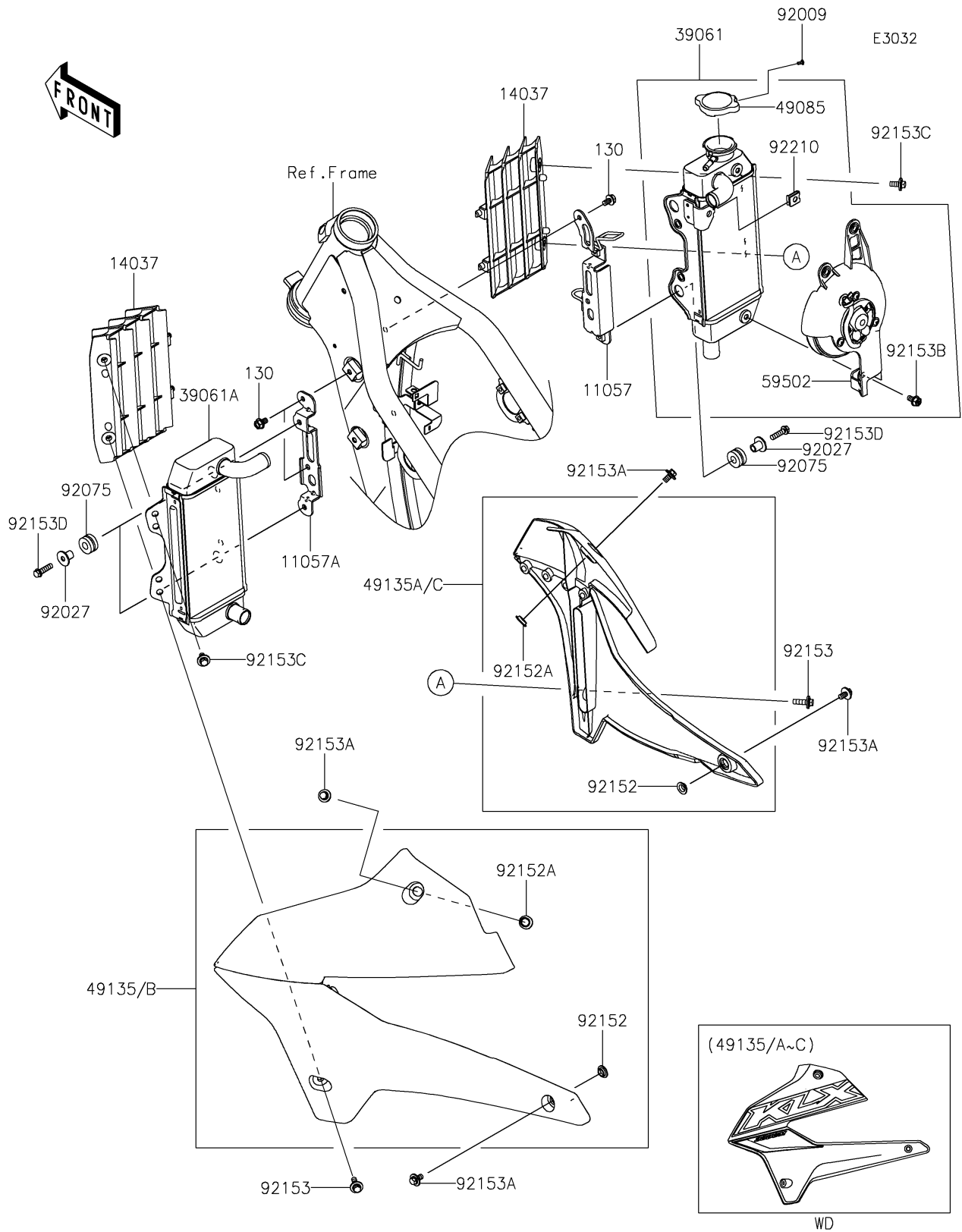


2021 KLX®300SM PARTS DIAGRAM

Radiator



2021 KLX®300SM PARTS LIST

Radiator

ITEM NAME	PART NUMBER	QUANTITY
BRACKET,RADIATOR,RH (Ref # 11057)	11057-4251	1
BRACKET,RADIATOR,LH (Ref # 11057A)	11057-4252	1
BOLT-FLANGED,6X10 (Ref # 130)	130BA0610	4
SCREEN,RADIATOR (Ref # 14037)	14037-0814	2
RADIATOR-ASSY,RH (Ref # 39061)	39061-0823	1
RADIATOR-ASSY,LH (Ref # 39061A)	39061-0825	1
CAP-ASSY-PRESSURE (Ref # 49085)	49085-0018	1
SHROUD-ENGINE,LH,EBONY+EBY (Ref # 49135)	49135-5252-25L	1
SHROUD-ENGINE,RH,EBONY+EBY (Ref # 49135A)	49135-5253-25L	1
SHROUD-ENGINE,LH,EBONY+EBY (Ref # 49135B)	49135-5258-25L	1
SHROUD-ENGINE,RH,EBONY+EBY (Ref # 49135C)	49135-5259-25L	1
FAN-ASSY (Ref # 59502)	59502-0636	1
SCREW,TAPPING,3X6 (Ref # 92009)	92009-1844	1
COLLAR,6.5X10X14.1 (Ref # 92027)	92027-1183	4
DAMPER (Ref # 92075)	92075-209	4
COLLAR,8.8X11.2X4 (Ref # 92152)	92152-0909	2
COLLAR (Ref # 92152A)	92152-1235	2
BOLT,6X20 (Ref # 92153)	92153-0502	2
BOLT,6X12 (Ref # 92153A)	92153-0503	4
BOLT (Ref # 92153B)	92153-0531	3
BOLT,FLANGED,6X14 (Ref # 92153C)	92153-0936	2
BOLT,FLANGED-SMALL,6X22 (Ref # 92153D)	92153-1560	4
NUT (Ref # 92210)	92210-1323	1