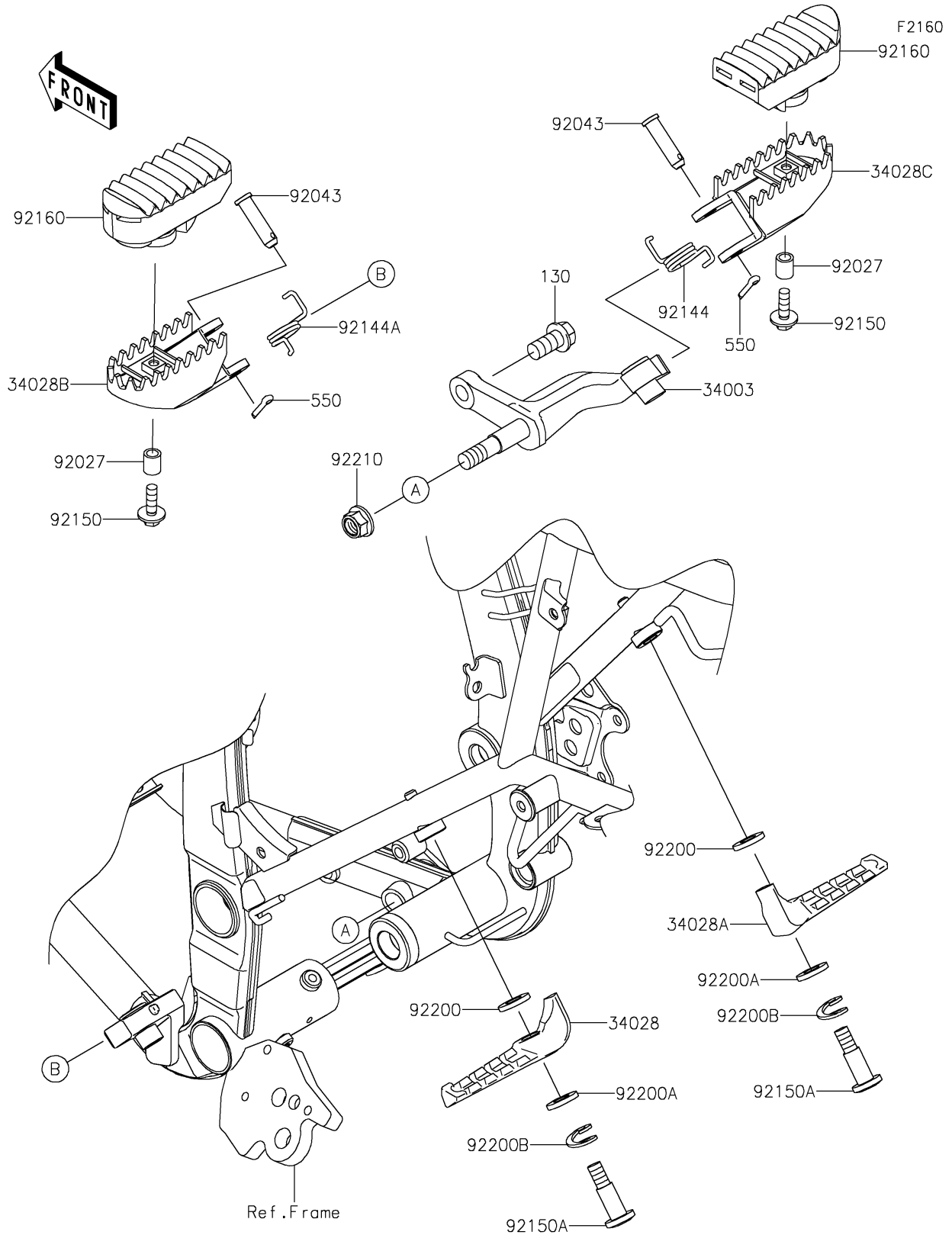


# 2021 KLX®300SM PARTS DIAGRAM

## Footrests



## 2021 KLX®300SM PARTS LIST

### Footrests

| ITEM NAME                              | PART NUMBER    | QUANTITY |
|--|----------------|----------|
| BOLT-FLANGED,10X20 (Ref # 130)         | 130CA1020      | 1        |
| HOLDER-STEP,RH,F.S.BLACK (Ref # 34003) | 34003-0084-18R | 1        |
| STEP,RR,LH (Ref # 34028)               | 34028-0325     | 1        |
| STEP,RR,RH (Ref # 34028A)              | 34028-0326     | 1        |
| STEP,FR,LH (Ref # 34028B)              | 34028-1370     | 1        |
| STEP,FR,RH (Ref # 34028C)              | 34028-1371     | 1        |
| PIN-COTTER,2.5X15 (Ref # 550)          | 550AA2515      | 2        |
| COLLAR,6.8X10X12 (Ref # 92027)         | 92027-162      | 2        |
| PIN,8X35.5 (Ref # 92043)               | 92043-115      | 2        |
| SPRING,STEP RETURN,RH (Ref # 92144)    | 92144-1685     | 1        |
| SPRING,STEP RETURN,LH (Ref # 92144A)   | 92144-1749     | 1        |
| BOLT,FLANGED,6X20 (Ref # 92150)        | 92150-1339     | 2        |
| BOLT,SOCKET,8X34 (Ref # 92150A)        | 92150-1584     | 2        |
| DAMPER,STEP (Ref # 92160)              | 92160-1401     | 2        |
| WASHER,8.5X16X1.2 (Ref # 92200)        | 92200-0089     | 2        |
| WASHER,10.5X19X2.3 (Ref # 92200A)      | 92200-1042     | 2        |
| WASHER,SPRING (Ref # 92200B)           | 92200-1133     | 2        |
| NUT,LOCK,FLANGED,10MM (Ref # 92210)    | 92210-1080     | 1        |