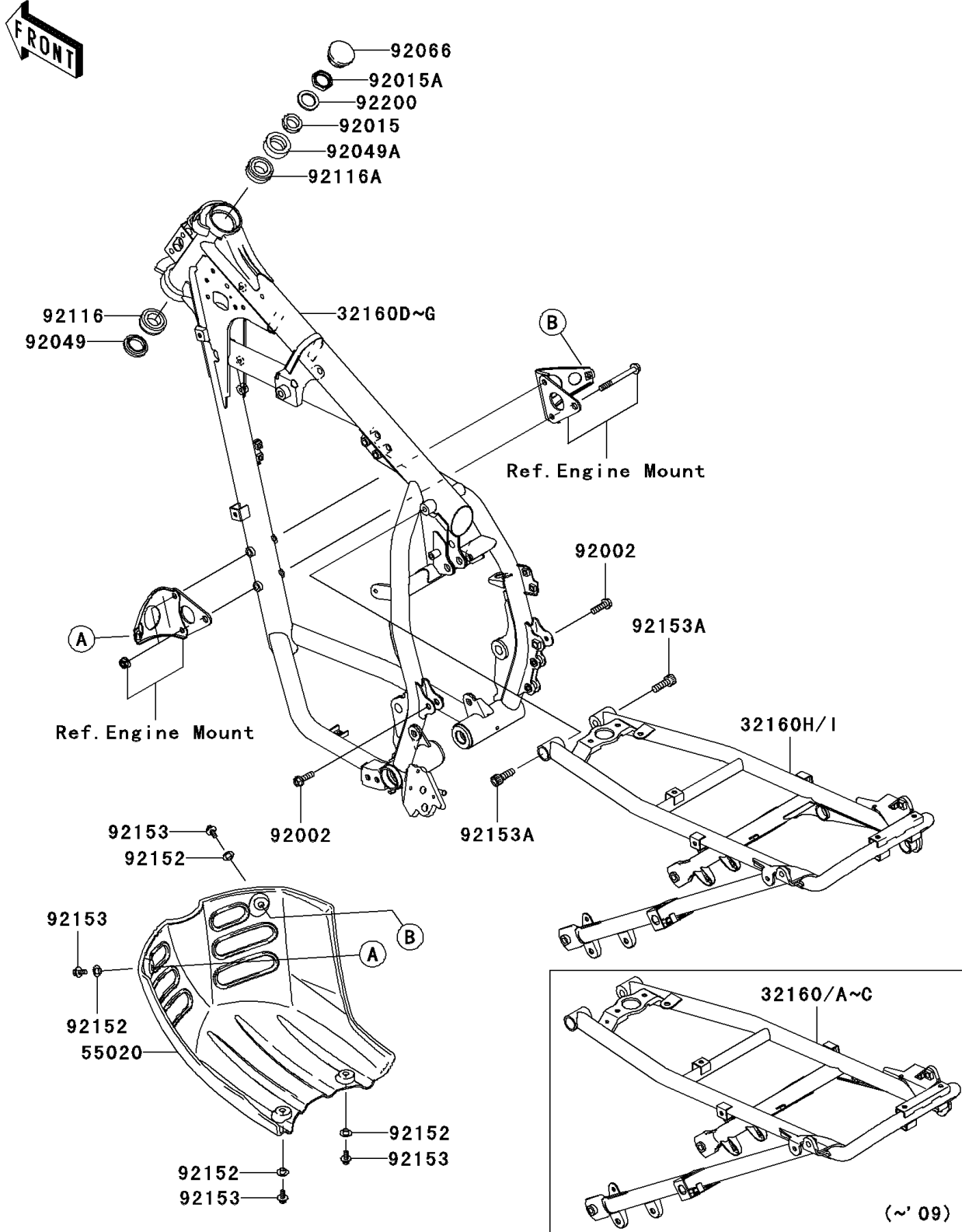


2008 KLR™ 650 PARTS DIAGRAM

Frame

F2120



2008 KLR™ 650 PARTS LIST

Frame

ITEM NAME	PART NUMBER	QUANTITY
GUARD,ENGINE,F.BLACK (Ref # 55020)	55020-0235-6Z	1
BOLT,FLANGED,8X28 (Ref # 92002)	92002-1971	2
NUT,25MM,T=12 (Ref # 92015)	92015-1546	1
NUT,STEERING STEM,22MM (Ref # 92015A)	92015-1653	1
SEAL-OIL,XMHE36X52X4J (Ref # 92049)	92049-1162	1
SEAL-OIL,STEERING STEM (Ref # 92049A)	92049-1214	1
PLUG (Ref # 92066)	92066-1306	1
BEARING-ROLLER,HR320/28XJ (Ref # 92116)	92116-1009	1
BEARING-ROLLER,HICAP 32005JR (Ref # 92116A)	92116-1052	1
COLLAR (Ref # 92152)	92152-0427	4
BOLT,6X16 (Ref # 92153)	92153-0863	4
BOLT,SOCKET,10X30 (Ref # 92153A)	92153-1524	2
WASHER,STEERING STEM (Ref # 92200)	92200-0517	1
FRAME-COMP,RR,P.SILVER (Ref # 32160A)	32160-0181-458	1
FRAME-COMP,RR,P.SILVER (Ref # 32160C)	32160-0190-458	1
FRAME-COMP,MAIN,P.SILVER (Ref # 32160E)	32160-0274-458	1
FRAME-COMP,MAIN,P.SILVER (Ref # 32160G)	32160-0275-458	1