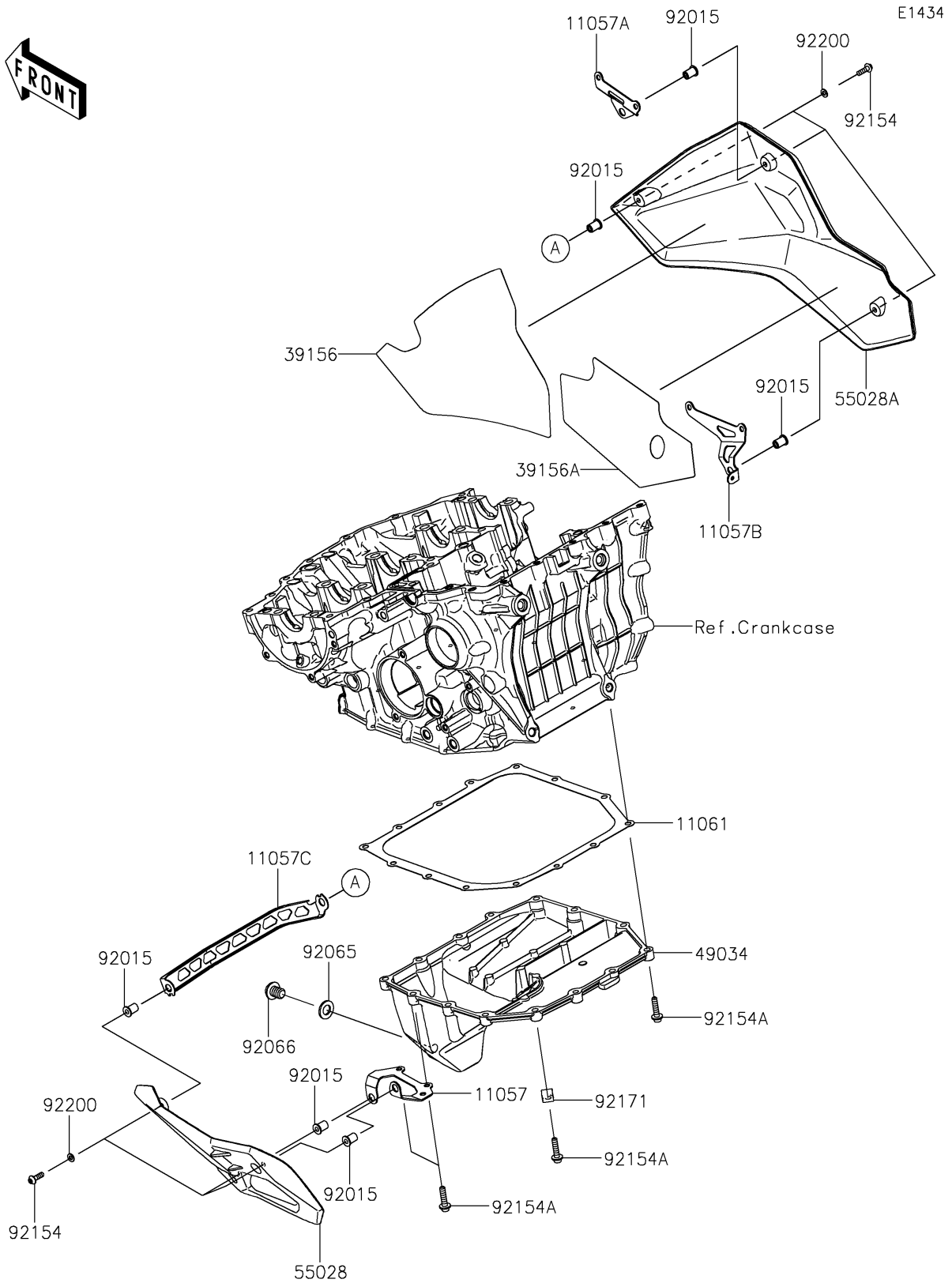


2021 Z H2 SE PARTS DIAGRAM

Oil Pan



2021 Z H2 SE PARTS LIST

Oil Pan

ITEM NAME	PART NUMBER	QUANTITY
-----------	-------------	----------