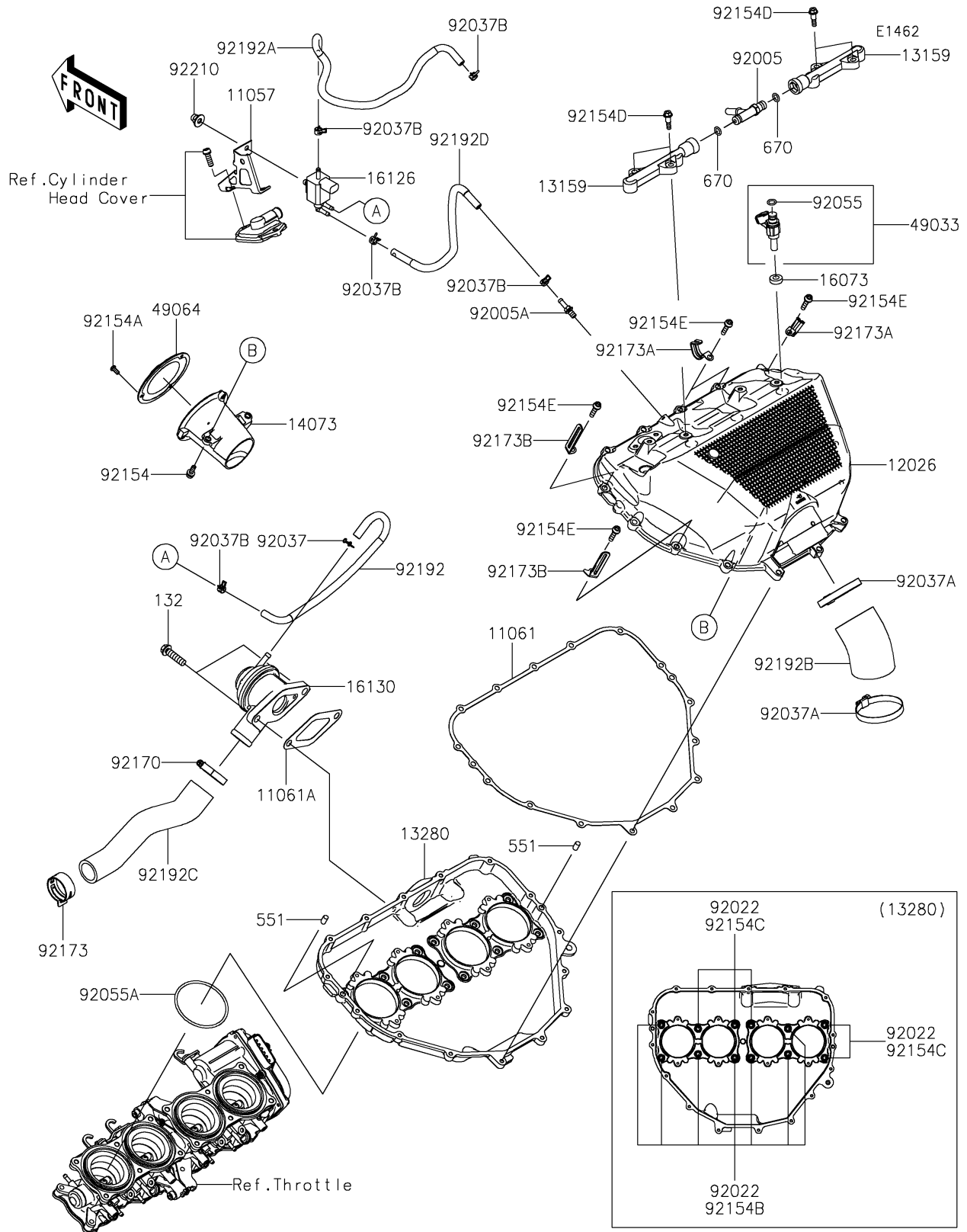


# 2021 Z H2 SE PARTS DIAGRAM

## Air Chamber



# 2021 Z H2 SE PARTS LIST

Air Chamber

ITEM NAME	PART NUMBER	QUANTITY
-----------	-------------	----------