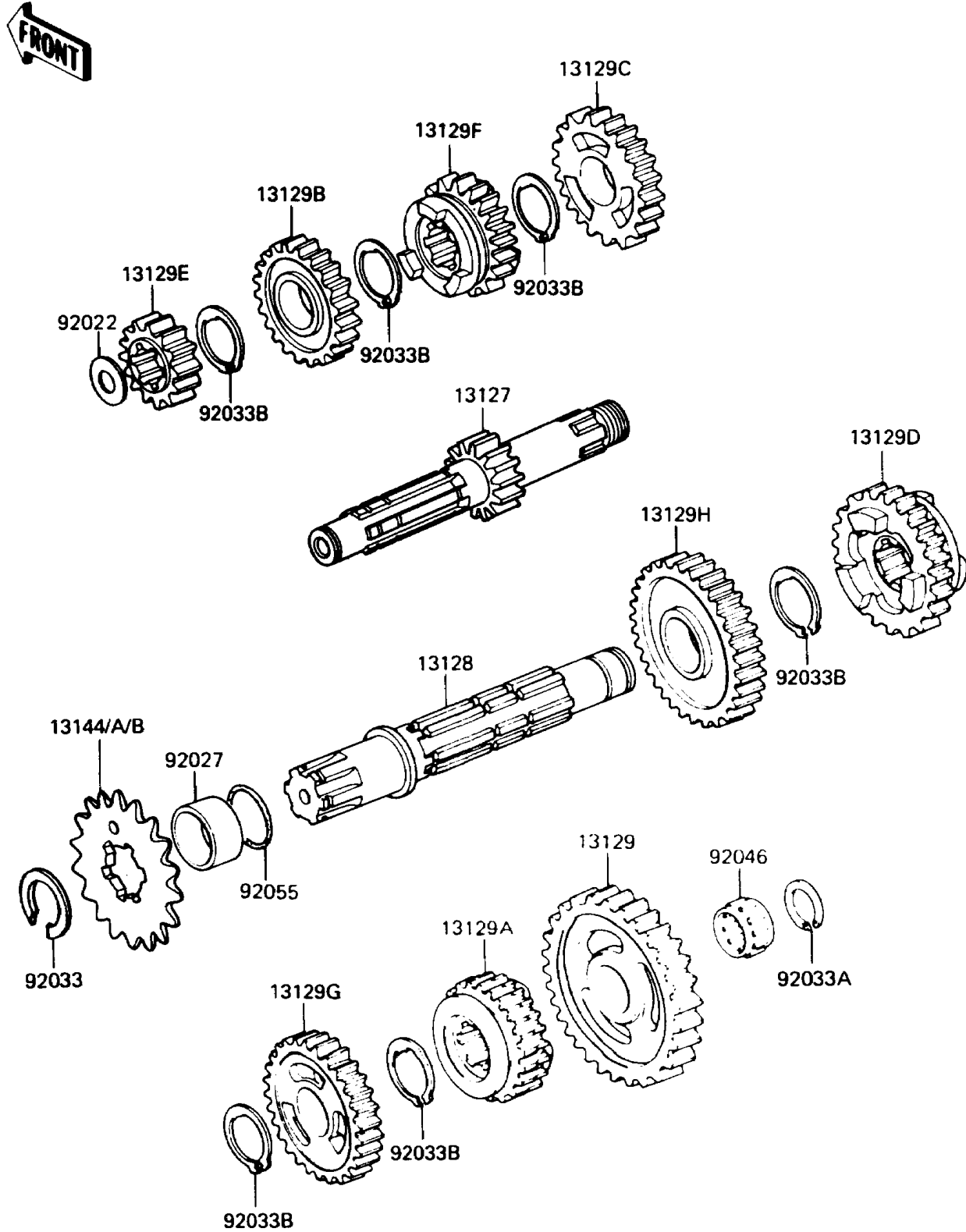


1988 KX500 PARTS DIAGRAM

Transmission

E1361-0182



1988 KX500 PARTS LIST

Transmission

ITEM NAME	PART NUMBER	QUANTITY
SHAFT-TRANSMISSION INPUT,16T (Ref # 13127)	13127-1159	1
SHAFT-TRANSMISSION OUTPUT (Ref # 13128)	13128-1150	1
GEAR,OUTPUT LOW,32T (Ref # 13129)	13129-1180	1
GEAR,OUTPUT TOP,19T (Ref # 13129A)	13129-1575	1
GEAR.INPUT 4TH,22T (Ref # 13129B)	13129-1743	1
GEAR,INPUT TOP,24T (Ref # 13129C)	13129-1744	1
GEAR,OUTPUT 4TH,21T (Ref # 13129D)	13129-1748	1
GEAR,INPUT 2ND,20T (Ref # 13129E)	13129-1908	1
GEAR,INPUT 3RD,22T (Ref # 13129F)	13129-1909	1
GEAR,OUTPUT 3RD,26T (Ref # 13129G)	13129-1910	1
GEAR,OUTPUT 2ND,29T (Ref # 13129H)	13129-1955	1
SPROCKET-OUTPUT,15T (Ref # 13144)	13144-069	1
SPROCKET-OUTPUT,14T (Ref # 13144A)	13144-1005	1
SPROCKET-OUTPUT,13T (Ref # 13144B)	13144-1027	1
WASHER,17.3X28X1 (Ref # 92022)	92022-255	1
COLLAR,25X32X10.5 (Ref # 92027)	92027-247	1
RING-SNAP,24MM (Ref # 92033)	92033-026	1
RING-SNAP,18MM (Ref # 92033A)	92033-029	1
RING-SNAP,25MM (Ref # 92033B)	92033-1089	6
BEARING-NEEDLE,KT202614 (Ref # 92046)	92046-1170	1
RING-O (Ref # 92055)	92055-035	1