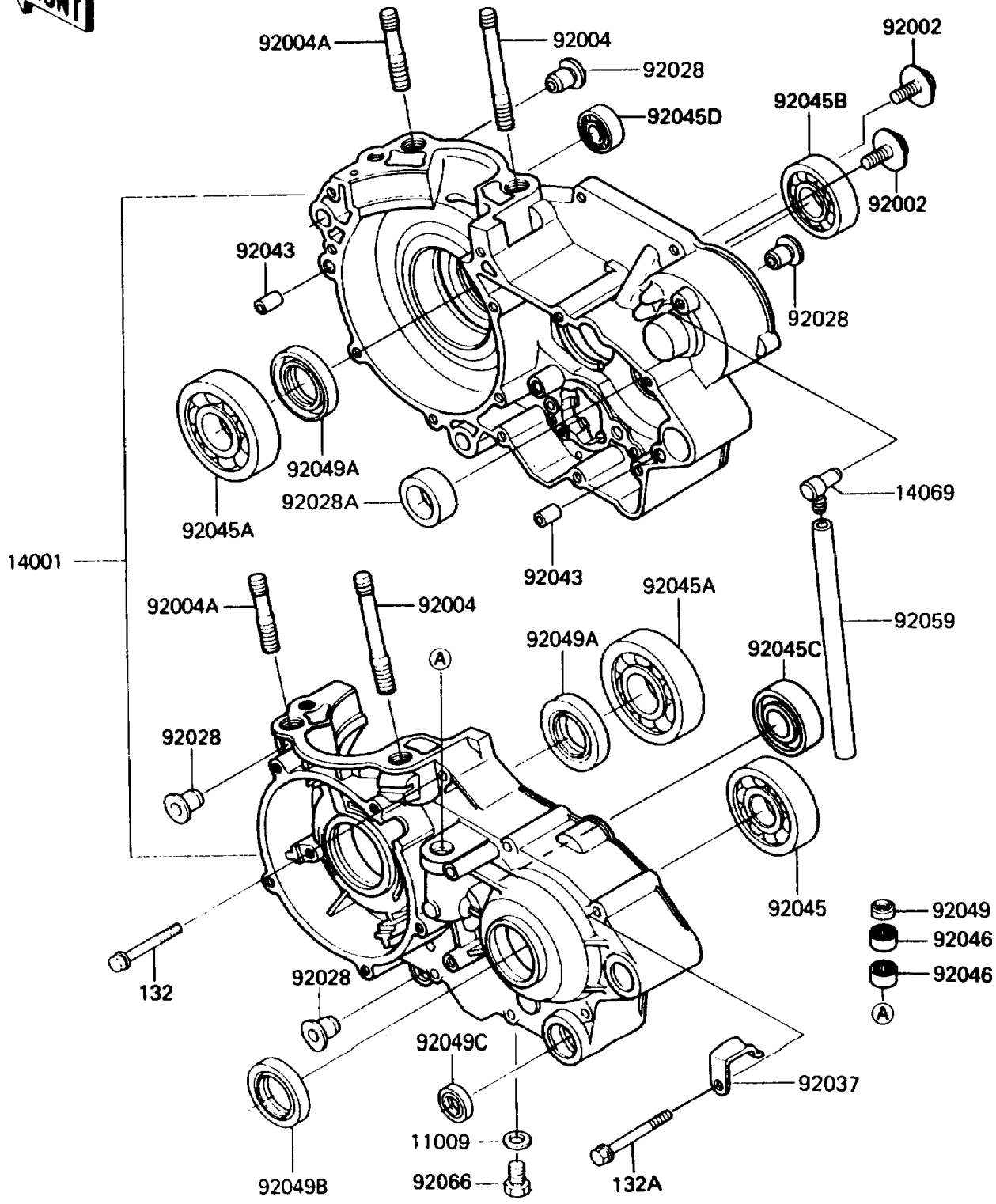


# 1988 KX500 PARTS DIAGRAM

Crankcase

E1411-0177



# 1988 KX500 PARTS LIST

## Crankcase

ITEM NAME	PART NUMBER	QUANTITY
GASKET,10.5X16X1,DRAIN PLUG (Ref # 11009)	92065-058	1
SET-CRANKCASE (Ref # 14001)	14001-5245	1
BREATHER (Ref # 14069)	14069-003	1
BOLT,6X16 (Ref # 92002)	92002-1659	2
STUD,10X67 (Ref # 92004)	92004-1052	2
STUD,10X45 (Ref # 92004A)	92004-1160	2
BUSHING (Ref # 92028)	92028-1133	4
BUSHING,26X35X14 (Ref # 92028A)	92028-131	1
CLAMP,HARNESS (Ref # 92037)	92037-1318	1
PIN,DOWEL,6.3X8X14 (Ref # 92043)	92042-007	2
BEARING-BALL,#6305 (Ref # 92045)	92045-1011	1
BEARING-BALL,6306SH2,9TC (Ref # 92045A)	92045-1027	2
BEARING-BALL,63/22T2C3 (Ref # 92045B)	92045-1134	1
BEARING-BALL,6203SH2C3 (Ref # 92045C)	92045-1193	1
BEARING-BALL (Ref # 92045D)	92045-1212	1
BEARING-NEEDLE,HK1210 (Ref # 92046)	92046-1010	2
SEAL-OIL (Ref # 92049)	92049-1262	1
SEAL-OIL (Ref # 92049A)	92050-057	2
SEAL-OIL,TC32458 (Ref # 92049B)	92050-083	1
SEAL-OIL,TB13225.5 (Ref # 92049C)	92051-005	1
TUBE,6X9X280 (Ref # 92059)	92059-1074	1
PLUG,DRAIN (Ref # 92066)	92066-1241	1
BOLT-FLANGED-SMALL (Ref # 132)	132G0650	4
BOLT-FLANGED-SMALL (Ref # 132A)	132G0660	8