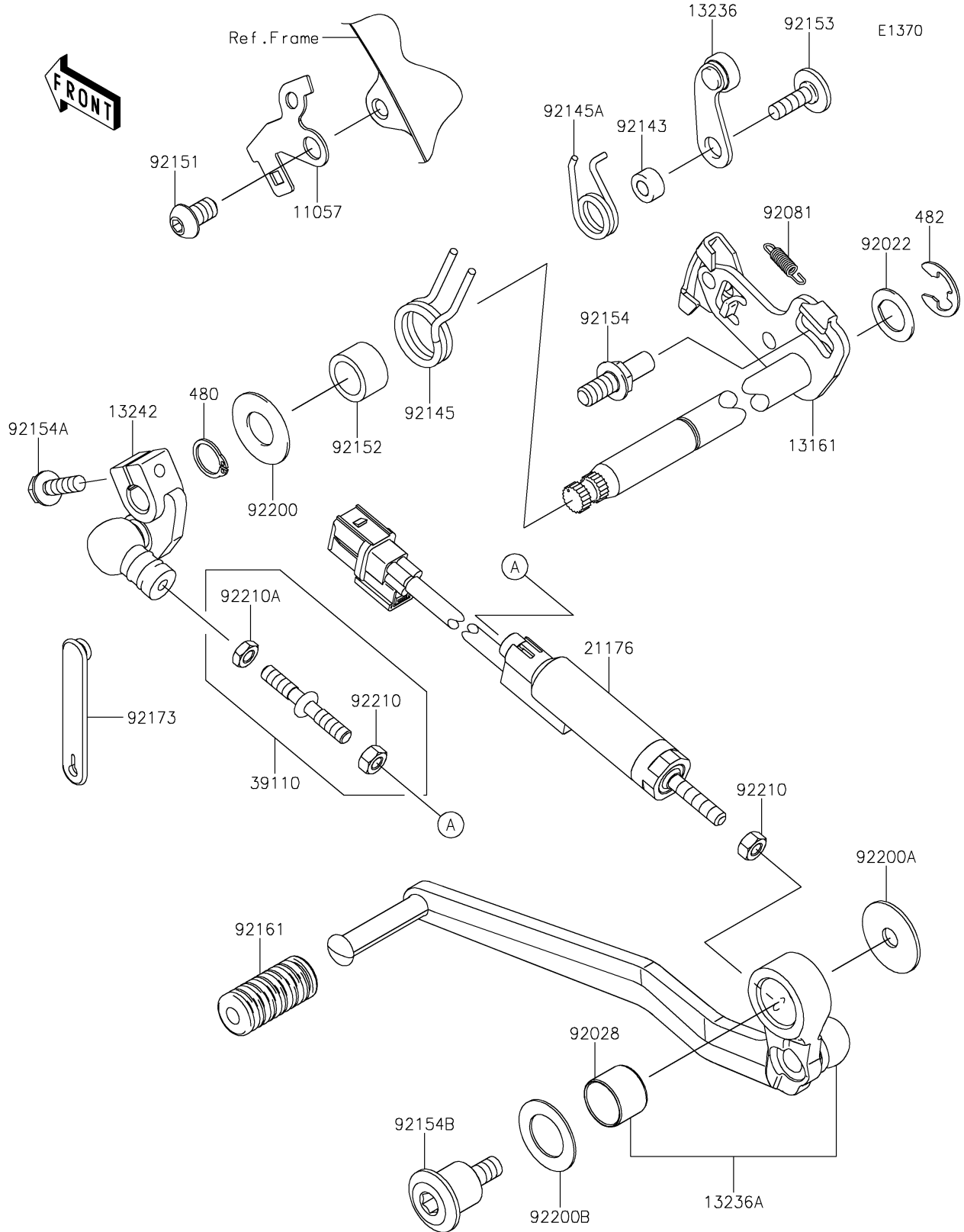


# 2020 VERSYS® 1000 SE LT+ PARTS DIAGRAM

## Gear Change Mechanism



## 2020 VERSYS® 1000 SE LT+ PARTS LIST

### Gear Change Mechanism

ITEM NAME	PART NUMBER	QUANTITY
BRACKET,QUICK SHIFTER (Ref # 11057)	11057-1984	1
LEVER-COMP-CHANGE SHAFT (Ref # 13161)	13161-0601	1
LEVER-COMP (Ref # 13236)	13236-0068	1
LEVER-COMP,CHANGE PEDAL (Ref # 13236A)	13236-0812	1
LEVER-ASSY-CHANGE (Ref # 13242)	13242-0156	1
SENSOR,QUICK SHIFTER (Ref # 21176)	21176-0884	1
ROD-ASSY-TIE (Ref # 39110)	39110-0048	1
CIRCLIP-TYPE-C,14MM (Ref # 480)	480J1400	1
CIRCLIP-TYPE-E,12MM (Ref # 482)	482J0200	1
WASHER,CHANGE SHAFT (Ref # 92022)	92022-1628	1
BUSHING (Ref # 92028)	92028-1558	1
SPRING,PAWL RETURN (Ref # 92081)	92081-1708	1
COLLAR (Ref # 92143)	92143-1595	1
SPRING (Ref # 92145)	92145-1871	1
SPRING,GEAR POSITION (Ref # 92145A)	92145-1872	1
BOLT,8X14 (Ref # 92151)	92151-1438	1
COLLAR,14.2X19.9X12.0 (Ref # 92152)	92152-1383	1
BOLT,6X20 (Ref # 92153)	92153-1505	1
BOLT,RETURN SPRING (Ref # 92154)	92154-1838	1
BOLT,FLANGED,6X20 (Ref # 92154A)	92154-2090	1
BOLT (Ref # 92154B)	92154-2822	1
DAMPER,CHANGE PEDAL (Ref # 92161)	92161-1300	1
CLAMP (Ref # 92173)	92173-1526	1
WASHER (Ref # 92200)	92200-0265	1
WASHER,8.2X30X1.5 (Ref # 92200A)	92200-0810	1
WASHER,18.3X30X1 (Ref # 92200B)	92200-0812	1
NUT,6MM (Ref # 92210)	92210-1100	2
NUT,LEFT HANDED,6MM (Ref # 92210A)	92210-1101	1