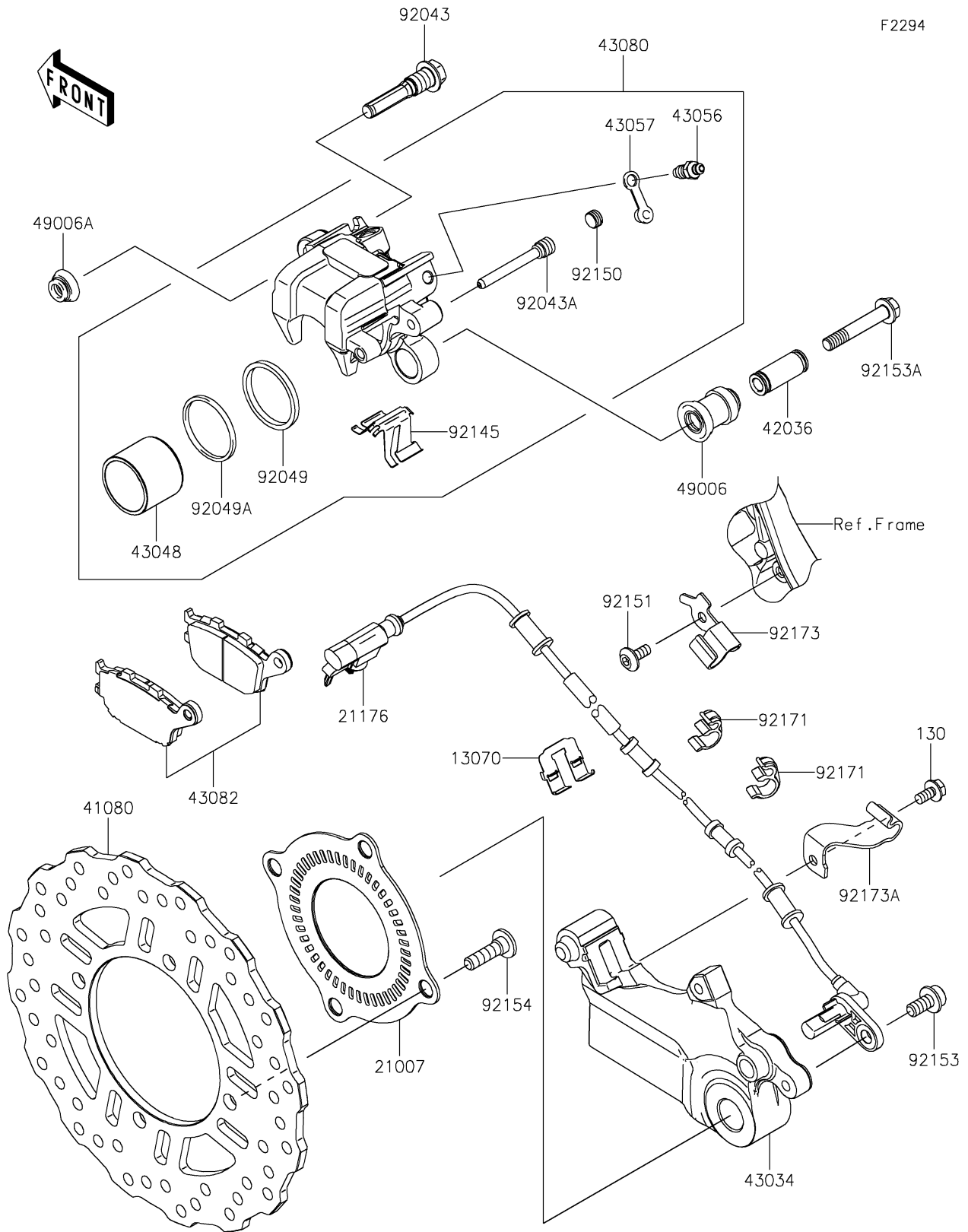


# 2020 VERSYS® 1000 SE LT+ PARTS DIAGRAM

Rear Brake



## 2020 VERSYS® 1000 SE LT+ PARTS LIST

### Rear Brake

ITEM NAME	PART NUMBER	QUANTITY
BOLT-FLANGED,6X12 (Ref # 130)	130BA0612	1
GUIDE,BRAKE PAD (Ref # 13070)	13070-0076	1
ROTOR,SENSOR,RR (Ref # 21007)	21007-0682	1
SENSOR,SPEED,RR (Ref # 21176)	21176-0881	1
DISC,RR (Ref # 41080)	41080-0632	1
SLEEVE (Ref # 42036)	42036-0050	1
HOLDER-BRAKE (Ref # 43034)	43034-0148	1
PISTON-CALIPER (Ref # 43048)	43048-0008	1
BREATHER (Ref # 43056)	43056-1055	1
CAP-BREATHER (Ref # 43057)	43057-1001	1
CALIPER-SUB-ASSY,RR,BLACK (Ref # 43080)	43080-0050-DJ	1
PAD-ASSY-BRAKE (Ref # 43082)	43082-0073	1
BOOT (Ref # 49006)	49006-0058	1
BOOT,CALIPER (Ref # 49006A)	49006-1242	1
PIN (Ref # 92043)	92043-0137	1
PIN,HANGER (Ref # 92043A)	92043-1520	1
SEAL-OIL (Ref # 92049)	92049-1449	1
SEAL-OIL (Ref # 92049A)	92049-1450	1
SPRING,PAD (Ref # 92145)	92145-0493	1
BOLT,PLUG (Ref # 92150)	92150-1692	1
BOLT,SOCKET,6X14 (Ref # 92151)	92151-1654	1
BOLT,SOCKET,8X16 (Ref # 92153)	92153-0327	1
BOLT,FLANGED (Ref # 92153A)	92153-1826	1
BOLT,SOCKET,8X30 (Ref # 92154)	92154-1865	4
CLAMP,BRAKE HOSE (Ref # 92171)	92171-1819	2
CLAMP,RR WHEEL SPEED SENSOR (Ref # 92173)	92173-1144	1
CLAMP,BRAKE HOLDER (Ref # 92173A)	92173-1912	1