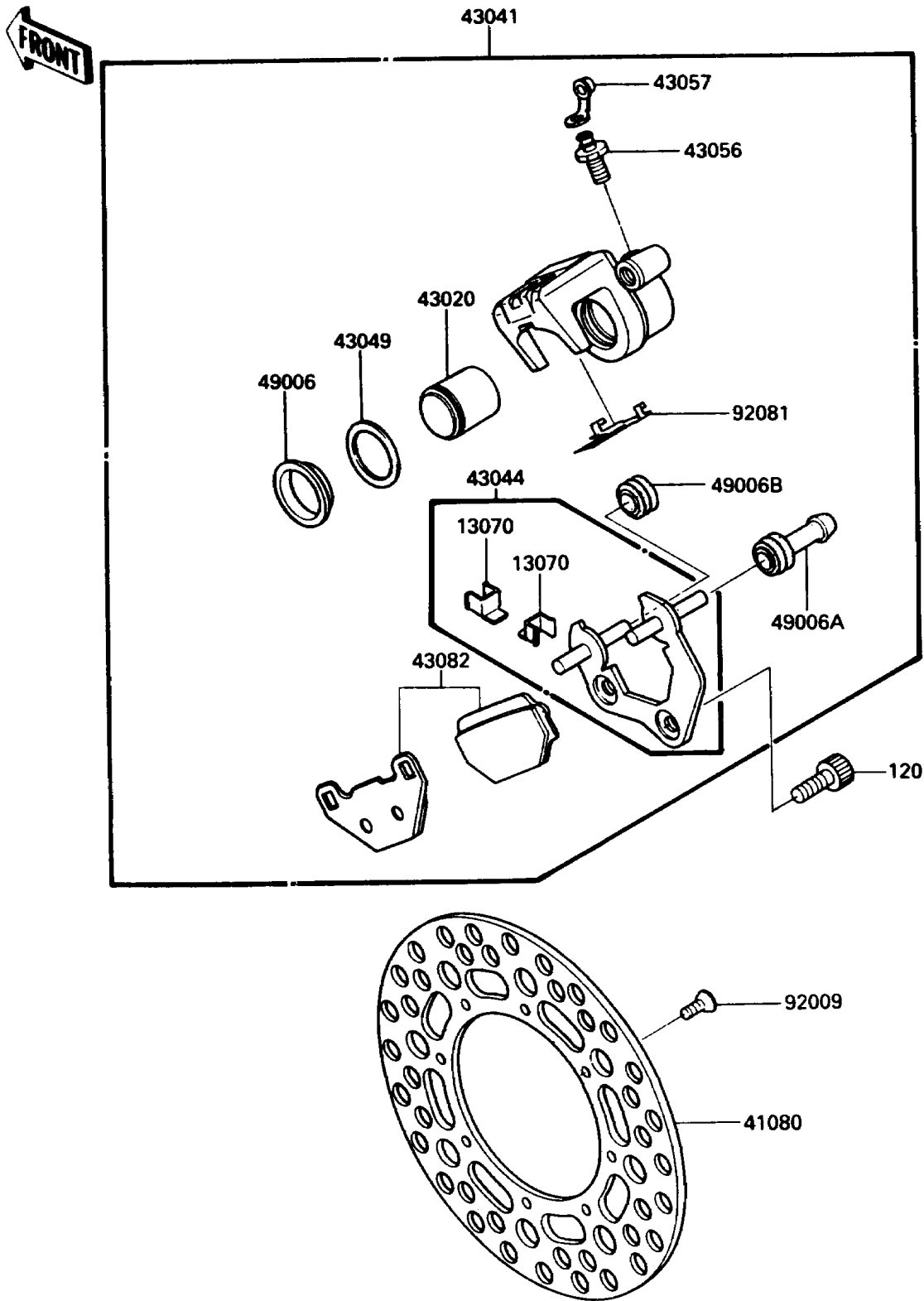


1988 KX500 PARTS DIAGRAM

Rear Brake

F2294-0039



1988 KX500 PARTS LIST

Rear Brake

ITEM NAME	PART NUMBER	QUANTITY
GUIDE,PAD (Ref # 13070)	13070-1175	2
DISC,RR (Ref # 41080)	41080-1187	1
PISTON-COMP-BRAKE (Ref # 43020)	43020-1062	1
CALIPER-ASSY,RR (Ref # 43041)	43041-1244	1
HOLDER-COMP-CALIPER,RR (Ref # 43044)	43044-1070	1
PACKING (Ref # 43049)	43049-1016	1
BREATHER (Ref # 43056)	43056-003	1
CAP-BREATHER (Ref # 43057)	43057-003	1
PAD-ASSY-BRAKE (Ref # 43082)	43082-1073	1
BOOT,PISTON SEAL (Ref # 49006)	49006-1053	1
BOOT,CALIPER (Ref # 49006A)	49006-1054	1
BOOT,CALIPER (Ref # 49006B)	49006-1055	1
SCREW,6X10 (Ref # 92009)	92009-1375	8
SPRING (Ref # 92081)	92081-1341	1
BOLT-SOCKET,8X20 (Ref # 120)	120P0820	2