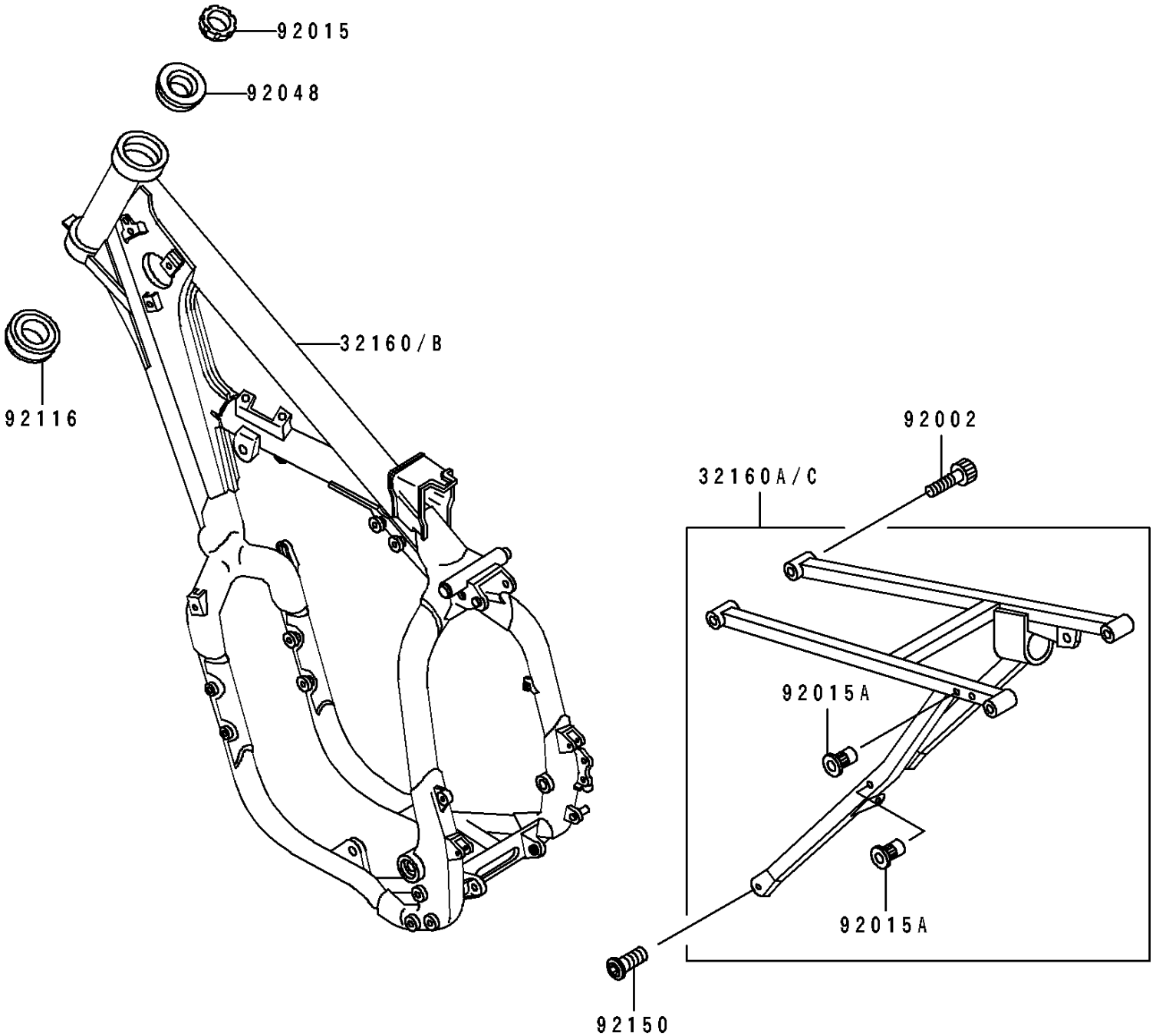


1990 KX500 PARTS DIAGRAM

Frame

F2120



1990 KX500 PARTS LIST

Frame

ITEM NAME	PART NUMBER	QUANTITY
FRAME-COMP,RR (Ref # 32160A)	32160-1031	1
FRAME-COMP,FR (Ref # 32160B)	32160-1095	1
BOLT,SOCKET,10X17 (Ref # 92002)	92002-1713	2
NUT,STEERING STEM,25MM (Ref # 92015)	92015-1684	1
NUT,POP,6MM (Ref # 92015A)	92015-1792	8
RACE,ROLLER,32005JR RS (Ref # 92048)	92047-017	1
BEARING-ROLLER,LWR,32006JR RS (Ref # 92116)	92116-1008	1
BOLT,SOCKET,8X19 (Ref # 92150)	92150-1266	2