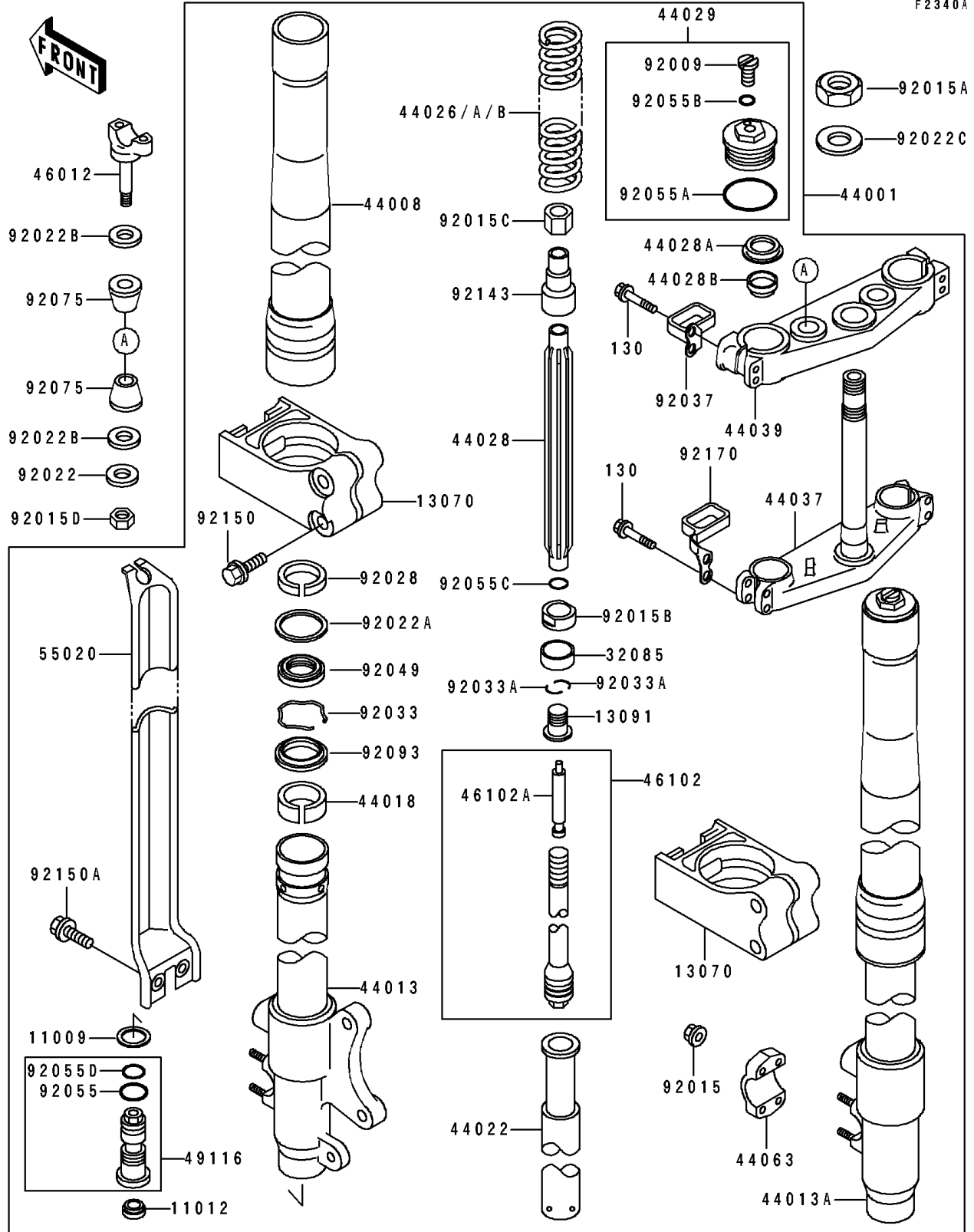


1990 KX500 PARTS DIAGRAM

Front Fork(KX500-E2)

F2340A



1990 KX500 PARTS LIST

Front Fork(KX500-E2)

ITEM NAME	PART NUMBER	QUANTITY
GASKET (Ref # 11009)	11009-1791	2
CAP (Ref # 11012)	11012-1692	2
GUIDE (Ref # 13070)	13070-1204	2
HOLDER (Ref # 13091)	13091-1651	2
STOPPER (Ref # 32085)	32085-1323	2
FORK-FRONT (Ref # 44001)	44001-1767	1
PIPE-FORK OUTER (Ref # 44008)	44008-1006	2
PIPE-FORK INNER,LH (Ref # 44013)	44013-1307	1
PIPE-FORK INNER,RH (Ref # 44013A)	44013-1308	1
PISTON-FORK (Ref # 44018)	44018-1054	2
CYLINDER-FORK (Ref # 44022)	44022-1248	2
SPRING-FRONT FORK,K=0.39 (Ref # 44026)	44026-1444	2
SPRING-FRONT FORK,K=0.38 (Ref # 44026A)	44026-1453	2
SPRING-FRONT FORK,K=0.40 (Ref # 44026B)	44026-1455	2
GUIDE-FORK SPRING (Ref # 44028)	44028-1069	2
GUIDE-FORK SPRING (Ref # 44028A)	44028-1070	2
GUIDE-FORK SPRING (Ref # 44028B)	44028-1071	2
SEAT-FORK SPRING (Ref # 44029)	44029-1141	2
HOLDER-FORK UNDER (Ref # 44037)	44037-1263	1
HOLDER-FORK UPPER (Ref # 44039)	44039-1190	1
HOLDER-FRONT AXLE (Ref # 44063)	44063-1056	2
HOLDER-HANDLE,LWR (Ref # 46012)	46012-1192	2
ROD,FORK (Ref # 46102)	46102-1290	2
ROD,FORK (Ref # 46102A)	46102-1303	2
VALVE-ASSY (Ref # 49116)	49116-1088	2
GUARD,FORK (Ref # 55020)	55020-1384	2
SCREW (Ref # 92009)	92009-1568	2
NUT,FLANGED,6MM (Ref # 92015)	92015-1078	8
NUT,STEERING STEM,22MM (Ref # 92015A)	92015-1653	1

1990 KX500 PARTS LIST

Front Fork(KX500-E2)

ITEM NAME	PART NUMBER	QUANTITY
NUT (Ref # 92015B)	92015-1805	2
NUT (Ref # 92015C)	92015-1806	2
NUT,LOCK,10MM (Ref # 92015D)	92019-021	2
WASHER,10.2X28X2 (Ref # 92022)	92022-1088	2
WASHER,FORK OUTER TUBE (Ref # 92022A)	92022-1298	2
WASHER (Ref # 92022B)	92022-1737	4
WASHER,STEERING STEM (Ref # 92022C)	92022-1873	1
BUSHING (Ref # 92028)	92028-1566	2
RING-SNAP (Ref # 92033)	92033-1036	2
RING-SNAP (Ref # 92033A)	92033-1271	4
CLAMP (Ref # 92037)	92037-1628	1
SEAL-OIL (Ref # 92049)	92049-1338	2
RING-O,FORK TOP CAP (Ref # 92055)	92055-1062	2
RING-O (Ref # 92055A)	92055-1115	2
RING-O (Ref # 92055B)	92055-1441	2
RING-O (Ref # 92055C)	92055-1442	2
RING-O (Ref # 92055D)	92055-1513	2
DAMPER (Ref # 92075)	92075-1776	4
SEAL (Ref # 92093)	92093-1305	2
COLLAR,FORK (Ref # 92143)	92143-1374	2
BOLT,5X35 (Ref # 92150)	92150-1270	4
BOLT,6X14 (Ref # 92150A)	92150-1340	4
CLAMP (Ref # 92170)	92170-1088	1
BOLT-FLANGED,8X40 (Ref # 130)	130G0840	8