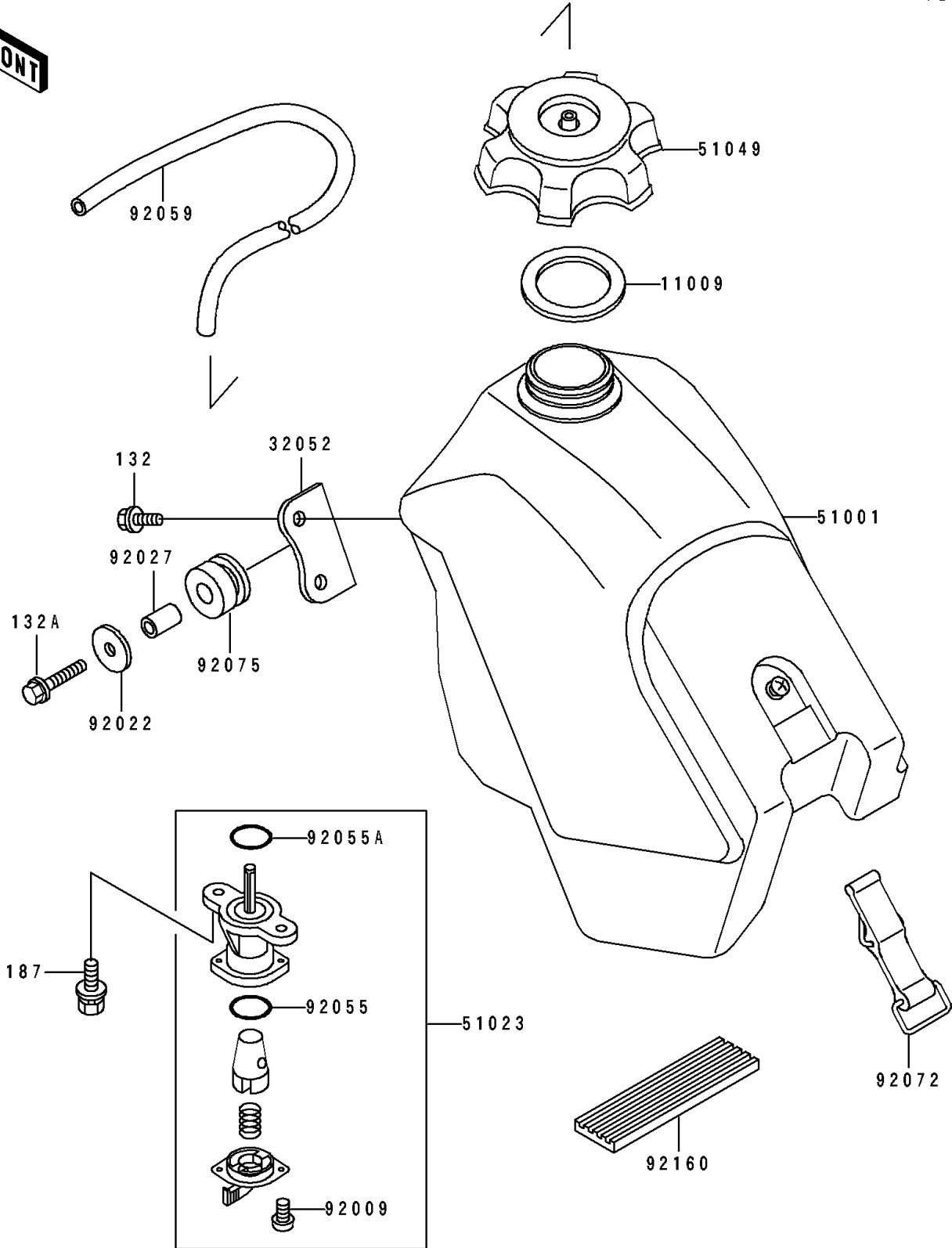


1990 KX500 PARTS DIAGRAM

Fuel Tank

F 2410



1990 KX500 PARTS LIST

Fuel Tank

| ITEM NAME | PART NUMBER | QUANTITY |
|--|---------------|----------|
| GASKET,FUEL TANK CAP (Ref # 11009) | 11009-1622 | 1 |
| BRACKET-TANK (Ref # 32052) | 32052-1169 | 2 |
| TANK-COMP-FUEL,L.GREEN (Ref # 51001) | 51001-1281-6W | 1 |
| TAP-ASSY,FUEL (Ref # 51023) | 51023-1115 | 1 |
| CAP-TANK,FUEL (Ref # 51049) | 51049-1089 | 1 |
| SCREW,3X8 (Ref # 92009) | 92009-1386 | 2 |
| WASHER,6.5X24X2 (Ref # 92022) | 92022-1690 | 2 |
| COLLAR,6.8X10X17 (Ref # 92027) | 92027-1833 | 2 |
| RING-O,FUEL TAP LEVER (Ref # 92055) | 92055-1299 | 1 |
| RING-O,FUEL TAP PACKING (Ref # 92055A) | 92055-1300 | 1 |
| TUBE,5X9X350 (Ref # 92059) | 92059-1265 | 1 |
| BAND,FUEL TANK (Ref # 92072) | 92072-1229 | 1 |
| DAMPER (Ref # 92075) | 92075-1660 | 2 |
| DAMPER,FUEL TANK (Ref # 92160) | 92075-1987 | 1 |
| BOLT-FLANGED-SMALL (Ref # 132) | 132G0612 | 4 |
| BOLT-FLANGED-SMALL (Ref # 132A) | 132G0630 | 2 |
| BOLT-UPSET-WSP (Ref # 187) | 187B0616 | 2 |