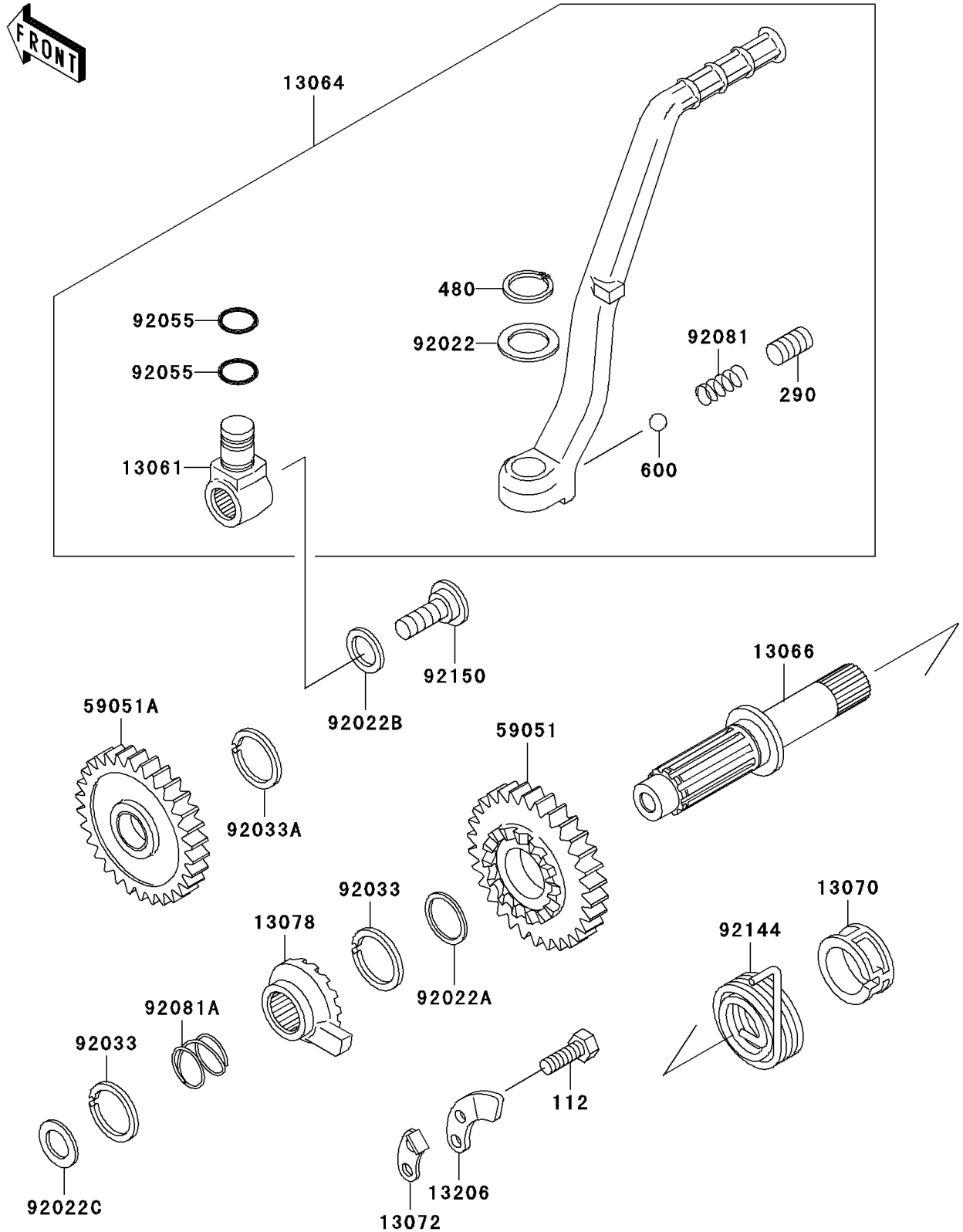


# 2000 KX500 PARTS DIAGRAM

Kickstarter Mechanism

E1340



## 2000 KX500 PARTS LIST

### Kickstarter Mechanism

| ITEM NAME                               | PART NUMBER | QUANTITY |
|---|-------------|----------|
| BOLT-UPSET (Ref # 112)                  | 112G0618    | 2        |
| SCREW-SET-SOCKET (Ref # 290)            | 290P0812    | 1        |
| CIRCLIP-TYPE-C,15MM (Ref # 480)         | 480J1500    | 1        |
| BALL-STEEL,1/4" (Ref # 600)             | 600A0800    | 1        |
| BOSS,KICK PEDAL (Ref # 13061)           | 13061-1408  | 1        |
| LEVER-ASSY-KICK,PEDAL (Ref # 13064)     | 13064-1201  | 1        |
| SHAFT-KICK (Ref # 13066)                | 13066-1056  | 1        |
| GUIDE,KICK SPRING (Ref # 13070)         | 13070-011   | 1        |
| STOPPER,KICKSTARTER (Ref # 13072)       | 13072-014   | 1        |
| RATCHET (Ref # 13078)                   | 13078-007   | 1        |
| GUIDE-KICK (Ref # 13206)                | 13206-1003  | 1        |
| GEAR-SPUR,KICKSTARTER,26T (Ref # 59051) | 59051-1149  | 1        |
| GEAR-SPUR,IDLE,26T (Ref # 59051A)       | 59051-1150  | 1        |
| WASHER,16.3X24X1 (Ref # 92022)          | 92022-1205  | 1        |
| WASHER,25.3X30X0.5 (Ref # 92022A)       | 92022-159   | 1        |
| WASHER (Ref # 92022B)                   | 92022-1944  | 1        |
| WASHER,20.5X25.5X0.5 (Ref # 92022C)     | 92022-252   | 1        |
| RING-SNAP,24MM (Ref # 92033)            | 92033-026   | 2        |
| RING-SNAP,18MM (Ref # 92033A)           | 92033-029   | 1        |
| RING-O,10X1.5 (Ref # 92055)             | 92055-061   | 2        |
| SPRING,KICK PEDAL (Ref # 92081)         | 92081-020   | 1        |
| SPRING (Ref # 92081A)                   | 92081-097   | 1        |
| SPRING,KICKSTARTER (Ref # 92144)        | 92144-1115  | 1        |
| BOLT,KICK PEDAL (Ref # 92150)           | 92150-1800  | 1        |