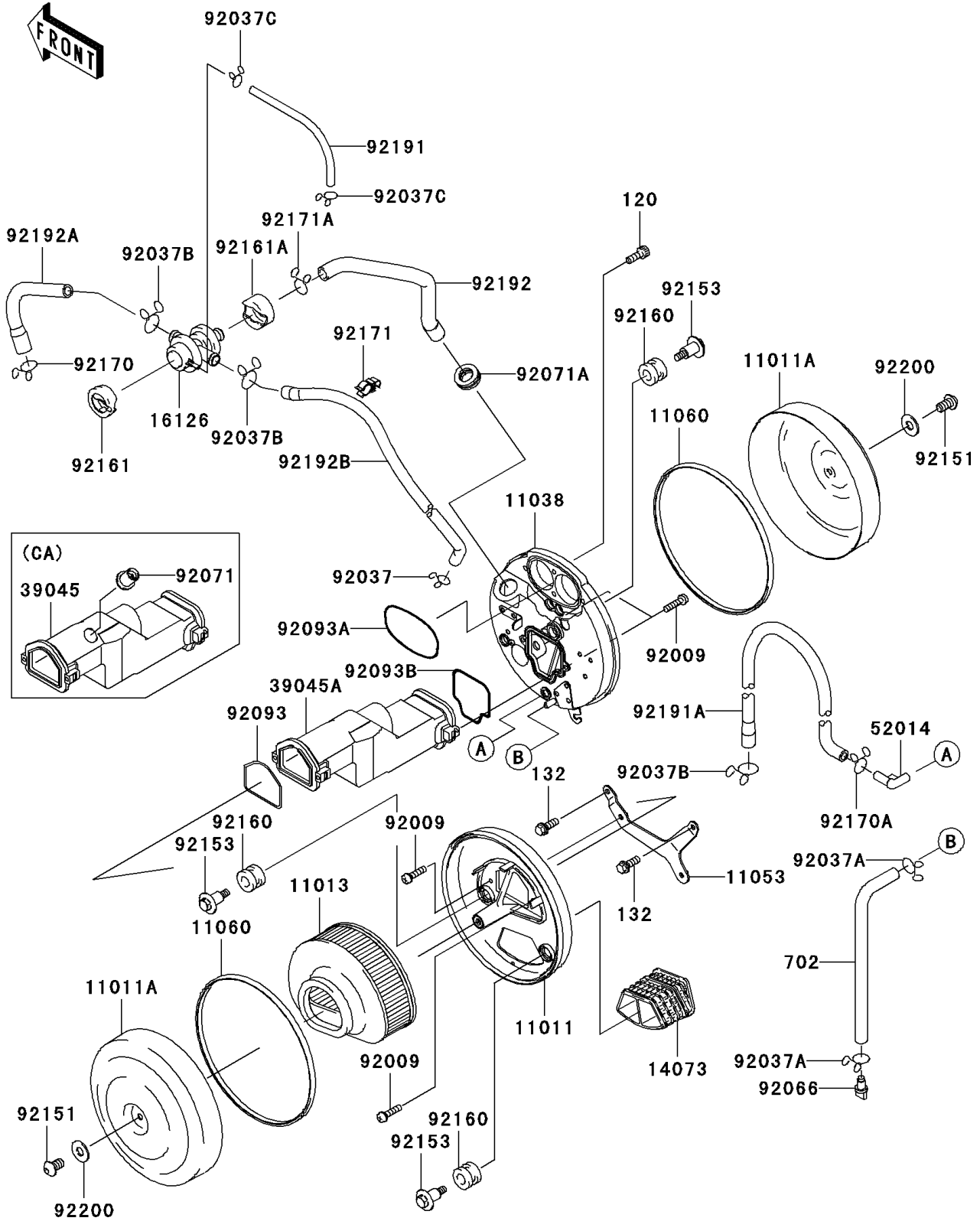


# 2008 Vulcan® 1600 Nomad™ PARTS DIAGRAM

Air Cleaner

E1130



## 2008 Vulcan® 1600 Nomad™ PARTS LIST

### Air Cleaner

ITEM NAME	PART NUMBER	QUANTITY
CASE-AIR FILTER,LH (Ref # 11011)	11011-1672	1
CASE-AIR FILTER,COVER (Ref # 11011A)	11011-1673	2
ELEMENT-AIR FILTER (Ref # 11013)	11013-1305	1
CASE-ASSY-AIR FILTER,RH (Ref # 11038)	11038-0005	1
BRACKET,AIR FILTER,LH (Ref # 11053)	11053-1208	1
GASKET,AIR FILTER CASE (Ref # 11060)	11060-1968	2
DUCT,INTAKE (Ref # 14073)	14073-1863	1
VALVE,AIR SWITCH (Ref # 16126)	16126-0005	1
ELBOW (Ref # 52014)	52014-1083	1
SCREW,PAN-WP-CROS,5X20 (Ref # 92009)	92009-1905	4
CLAMP (Ref # 92037)	92037-1468	1
CLAMP,TUBE (Ref # 92037A)	92037-147	2
CLAMP (Ref # 92037B)	92037-1593	3
CLAMP (Ref # 92037C)	92037-1712	2
PLUG,DRAIN (Ref # 92066)	92066-1211	1
GROMMET,AIR FILTER (Ref # 92071A)	92071-1028	1
SEAL,DUCT,LH (Ref # 92093)	92093-1459	1
SEAL (Ref # 92093A)	92093-1485	1
SEAL,DUCT,RH (Ref # 92093B)	92093-1491	1
BOLT,8X14 (Ref # 92151)	92151-1438	2
BOLT,6X14X9.5 (Ref # 92153)	92153-0498	3
DAMPER (Ref # 92160)	92160-1594	3
DAMPER,OUTSIDE (Ref # 92161)	92161-0044	1
DAMPER,INSIDE (Ref # 92161A)	92161-0045	1
CLAMP,TUBE (Ref # 92170)	92170-1445	1
CLAMP (Ref # 92170A)	92170-1695	1
CLAMP (Ref # 92171)	92171-0131	1
CLAMP (Ref # 92171A)	92171-0790	1
TUBE,4X9X230 (Ref # 92191)	92191-0033	1

## 2008 Vulcan® 1600 Nomad™ PARTS LIST

### Air Cleaner

ITEM NAME	PART NUMBER	QUANTITY
TUBE,BREATHER (Ref # 92191A)	92191-1406	1
TUBE,AIR SWITCH-FILTER CASE (Ref # 92192)	92192-0011	1
TUBE,FR HEAD-AIR SWITCH (Ref # 92192A)	92192-0025	1
TUBE,AIR SWITCH-RR HEAD (Ref # 92192B)	92192-0026	1
WASHER,8.5X20X1.6 (Ref # 92200)	92200-1463	2
BOLT-SOCKET,6X16 (Ref # 120)	120S0616	4
BOLT-FLANGED-SMALL,6X16 (Ref # 132)	132J0616	2
TUBE-RUBBER,7X10X230 (Ref # 702)	702A07230	1
DUCT-ASSY,JOINT (Ref # 39045)	39045-0001	1
DUCT-ASSY,CENTER (Ref # 39045A)	39045-0003	1
GROMMET (Ref # 92071)	92071-0003	1