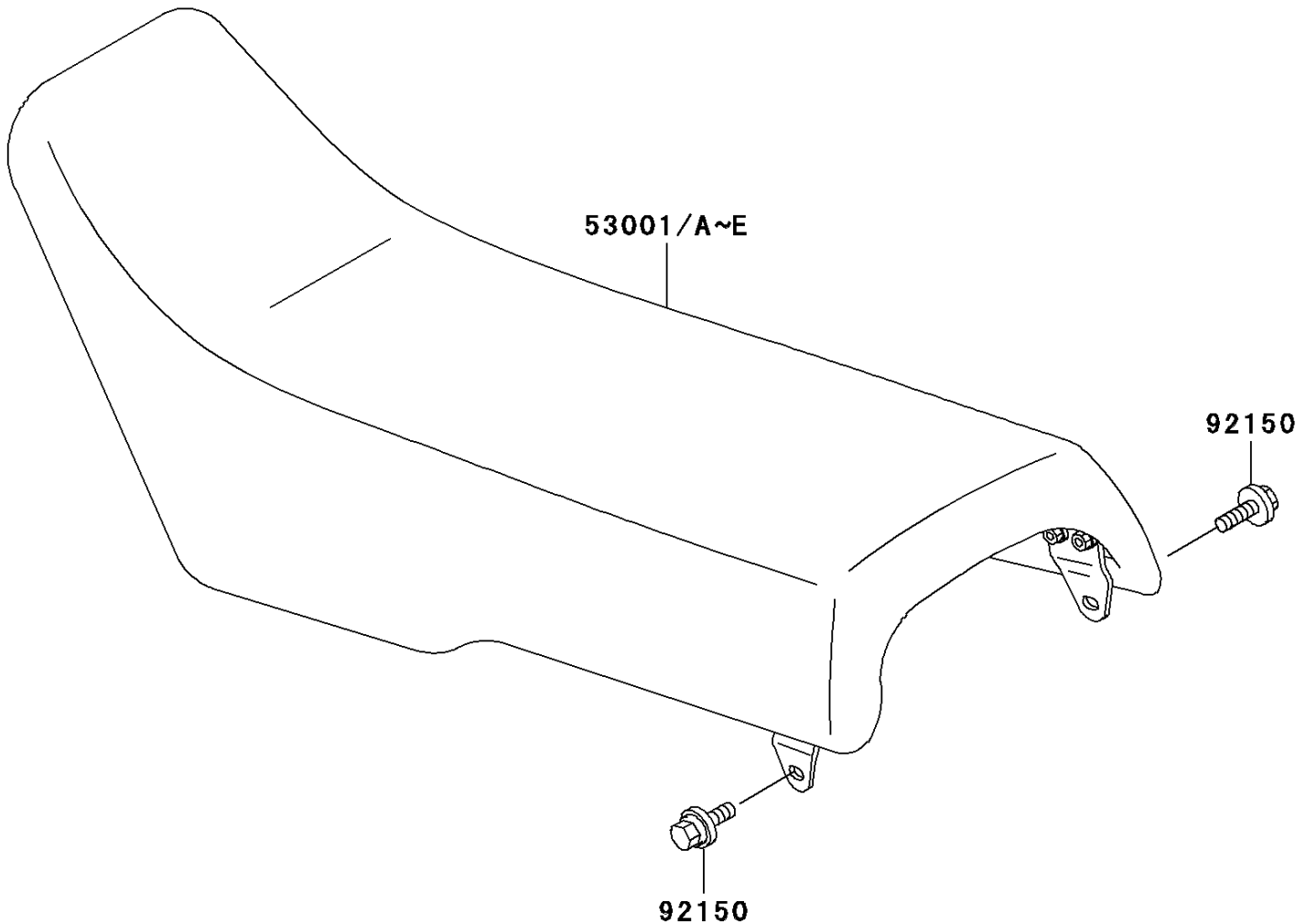


1998 KX500 PARTS DIAGRAM

Seat

F2510



1998 KX500 PARTS LIST

Seat

ITEM NAME	PART NUMBER	QUANTITY
SEAT-ASSY,LOW HEIGHT,GREEN (Ref # 53001)	53001-1849-MF	1
SEAT-ASSY,MIDDLE HIGHT,GREEN (Ref # 53001A)	53001-1850-MF	1
SEAT-ASSY,HIGH HEIGHT,GREEN (Ref # 53001B)	53001-1851-MF	1
BOLT,6X20 (Ref # 92150)	92150-1339	2