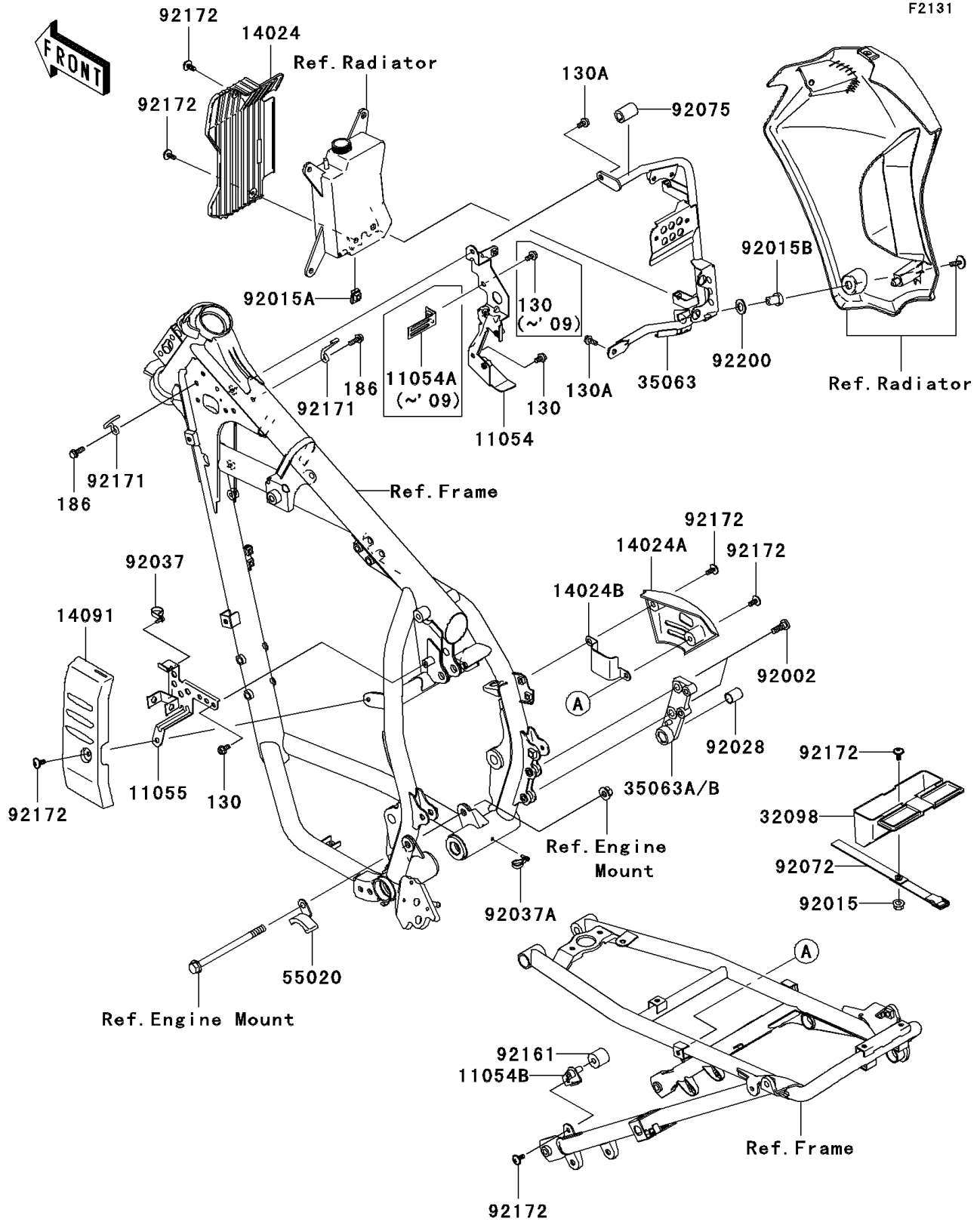


# 2008 KLR™ 650 PARTS DIAGRAM

## Frame Fittings



## 2008 KLR™ 650 PARTS LIST

### Frame Fittings

ITEM NAME	PART NUMBER	QUANTITY
BOLT-FLANGED,6X10 (Ref # 130)	130BB0610	3
BOLT-FLANGED,6X14 (Ref # 130A)	130BB0614	2
BOLT-UPSET-WP,6X20 (Ref # 186)	186AA0620	2
BRACKET,ELECTRIC (Ref # 11054)	11054-0400	1
BRACKET,CONNECTOR (Ref # 11054A)	11054-1585	1
BRACKET (Ref # 11054B)	11054-1793	1
BRACKET,STARTER RELAY (Ref # 11055)	11055-0291	1
COVER,FRONT RESERVOIR (Ref # 14024)	14024-1372	1
COVER,RESERVOIR TANK (Ref # 14024A)	14024-1470	1
COVER,RESERVOIR TANK (Ref # 14024B)	14024-1531	1
COVER,STARTER RELAY (Ref # 14091)	14091-0591	1
CASE-TOOL,F.BLACK (Ref # 32098)	32098-0014-6Z	1
STAY,HORN&RESERVE (Ref # 35063)	35063-0312	1
STAY,P.SILVER (Ref # 35063B)	35063-0443-458	1
GUARD,CHAIN (Ref # 55020)	55020-1266	1
BOLT,SOCKET,8X23.5 (Ref # 92002)	92002-1598	2
NUT,FLANGED,6MM,BLACK (Ref # 92015)	92015-1233	1
NUT,6MM (Ref # 92015A)	92015-1602	1
NUT,RUBBER,6MM (Ref # 92015B)	92015-1692	1
BUSHING (Ref # 92028)	92028-1259	1
CLAMP,SPEED,L=58 (Ref # 92037)	92037-1163	1
CLAMP,SPEED,L=80.5 (Ref # 92037A)	92037-1903	1
BAND,TOOL CASE (Ref # 92072)	92072-1219	1
DAMPER (Ref # 92075)	92075-1941	1
DAMPER (Ref # 92161)	92161-0510	1
CLAMP,HARNESS (Ref # 92171)	92171-1869	2
SCREW,6X14 (Ref # 92172)	92172-0004	7
WASHER,13X23X2 (Ref # 92200)	92200-0389	1