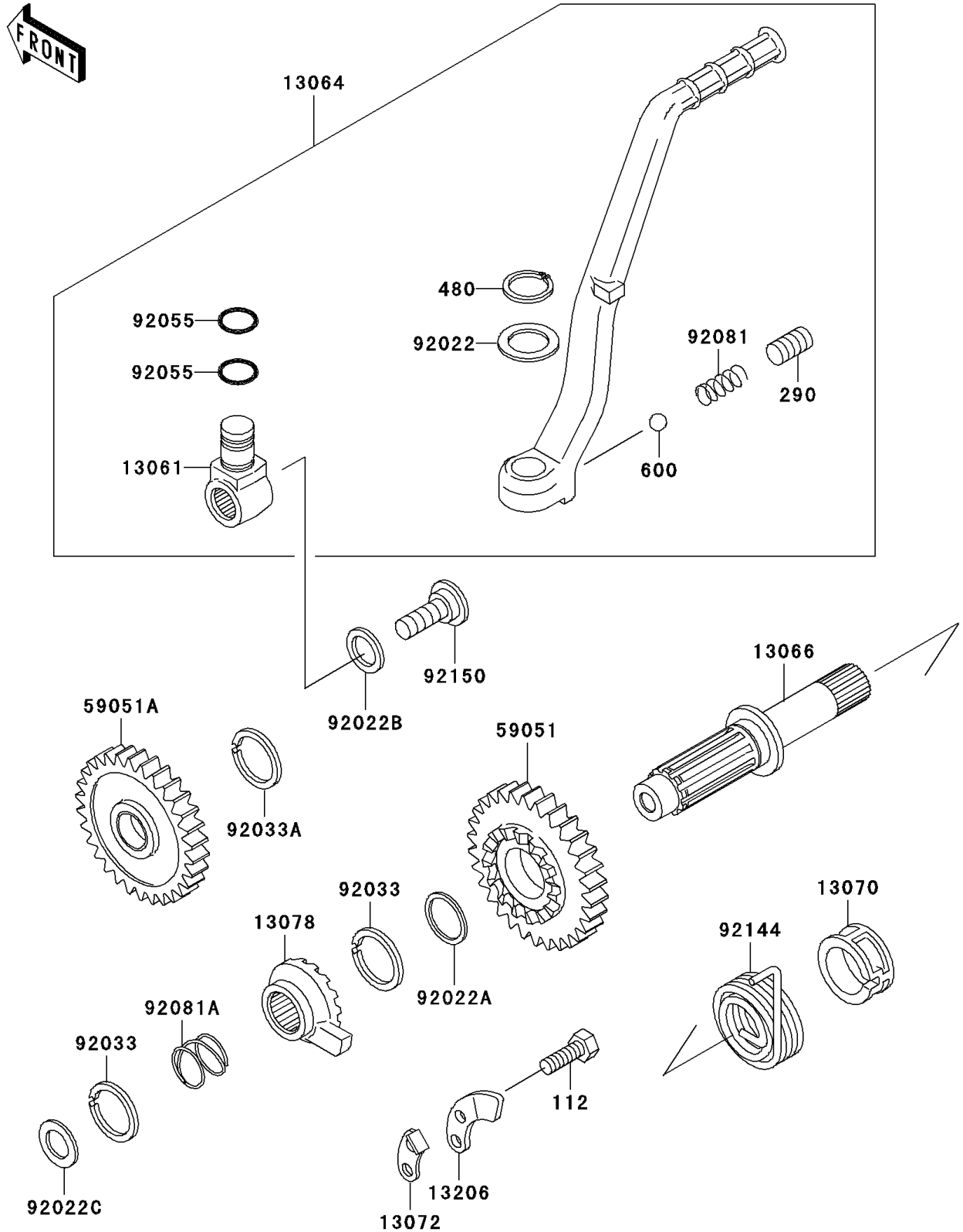


2004 KX500 PARTS DIAGRAM

Kickstarter Mechanism

E1340



2004 KX500 PARTS LIST

Kickstarter Mechanism

| ITEM NAME | PART NUMBER | QUANTITY |
|---|-------------|----------|
| BOLT-UPSET (Ref # 112) | 112G0618 | 2 |
| SCREW-SET-SOCKET (Ref # 290) | 290P0812 | 1 |
| CIRCLIP-TYPE-C,15MM (Ref # 480) | 480J1500 | 1 |
| BALL-STEEL,1/4" (Ref # 600) | 600A0800 | 1 |
| BOSS,KICK PEDAL (Ref # 13061) | 13061-1408 | 1 |
| LEVER-ASSY-KICK,PEDAL (Ref # 13064) | 13064-1201 | 1 |
| SHAFT-KICK (Ref # 13066) | 13066-1056 | 1 |
| GUIDE,KICK SPRING (Ref # 13070) | 13070-011 | 1 |
| STOPPER,KICKSTARTER (Ref # 13072) | 13072-014 | 1 |
| RATCHET (Ref # 13078) | 13078-007 | 1 |
| GUIDE-KICK (Ref # 13206) | 13206-1003 | 1 |
| GEAR-SPUR,KICKSTARTER,26T (Ref # 59051) | 59051-1149 | 1 |
| GEAR-SPUR,IDLE,26T (Ref # 59051A) | 59051-1150 | 1 |
| WASHER,16.3X24X1 (Ref # 92022) | 92022-1205 | 1 |
| WASHER,25.3X30X0.5 (Ref # 92022A) | 92022-159 | 1 |
| WASHER (Ref # 92022B) | 92022-1944 | 1 |
| WASHER,20.5X25.5X0.5 (Ref # 92022C) | 92022-252 | 1 |
| RING-SNAP,24MM (Ref # 92033) | 92033-026 | 2 |
| RING-SNAP,18MM (Ref # 92033A) | 92033-029 | 1 |
| RING-O,10X1.5 (Ref # 92055) | 92055-061 | 2 |
| SPRING,KICK PEDAL (Ref # 92081) | 92081-020 | 1 |
| SPRING (Ref # 92081A) | 92081-097 | 1 |
| SPRING,KICKSTARTER (Ref # 92144) | 92144-1115 | 1 |
| BOLT,SOCKET,8X20 (Ref # 92150) | 92150-1800 | 1 |