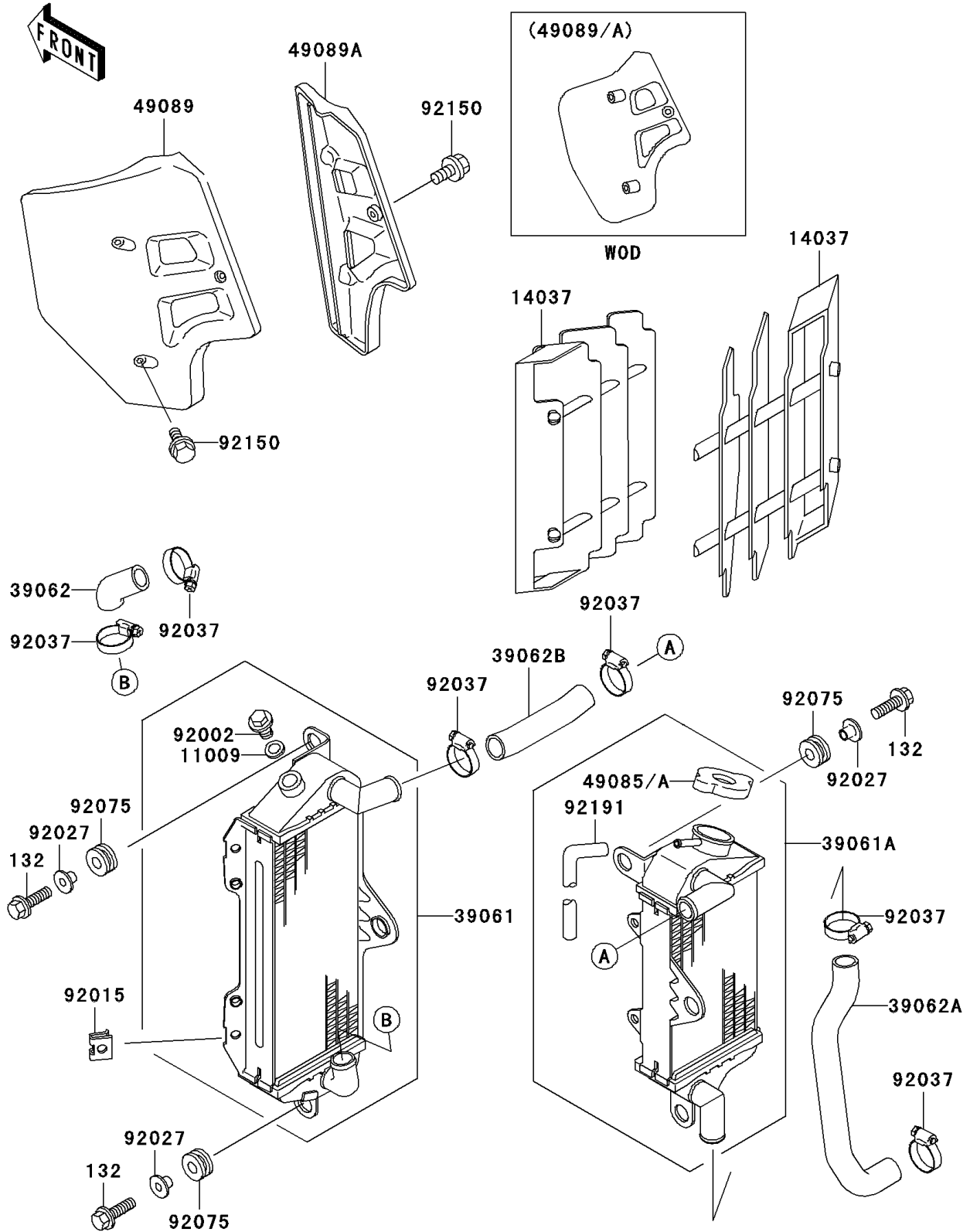


# 2004 KX500 PARTS DIAGRAM

Radiator

E3032



## 2004 KX500 PARTS LIST

### Radiator

| ITEM NAME                                    | PART NUMBER   | QUANTITY |
|--|---------------|----------|
| BOLT-FLANGED-SMALL (Ref # 132)               | 132G0620      | 6        |
| GASKET,DRAIN BOLT (Ref # 11009)              | 11009-1152    | 1        |
| SCREEN,WHITE (Ref # 14037)                   | 14037-1099-RZ | 2        |
| RADIATOR-ASSY,LH (Ref # 39061)               | 39061-1235    | 1        |
| RADIATOR-ASSY,RH (Ref # 39061A)              | 39061-1236    | 1        |
| HOSE-COOLING,RADIATOR,LH (Ref # 39062)       | 39062-1138    | 1        |
| HOSE-COOLING,RADIATOR,RH-PUMP (Ref # 39062A) | 39062-1209    | 1        |
| HOSE-COOLING,RADIATOR LH-RH (Ref # 39062B)   | 39062-1274    | 1        |
| CAP-ASSY-PRESSURE,P1.1 (Ref # 49085)         | 49085-1070    | 1        |
| CAP-ASSY-PRESSURE,P1.6 (Ref # 49085A)        | 49085-1073    | 1        |
| SHROUD-ENGINE,LH,L.GREEN (Ref # 49089)       | 49089-1087-6W | 1        |
| SHROUD-ENGINE,RH,L.GREEN (Ref # 49089A)      | 49089-1088-6W | 1        |
| BOLT,RADIATOR DRAIN (Ref # 92002)            | 92002-1682    | 1        |
| NUT (Ref # 92015)                            | 92015-1487    | 4        |
| COLLAR,L=11.1 (Ref # 92027)                  | 92027-194     | 6        |
| CLAMP,COOLING HOSE (Ref # 92037)             | 92037-1589    | 6        |
| DAMPER (Ref # 92075)                         | 92075-209     | 6        |
| BOLT,6X14 (Ref # 92150)                      | 92150-1340    | 6        |
| TUBE,6X9X700 (Ref # 92191)                   | 92191-1211    | 1        |