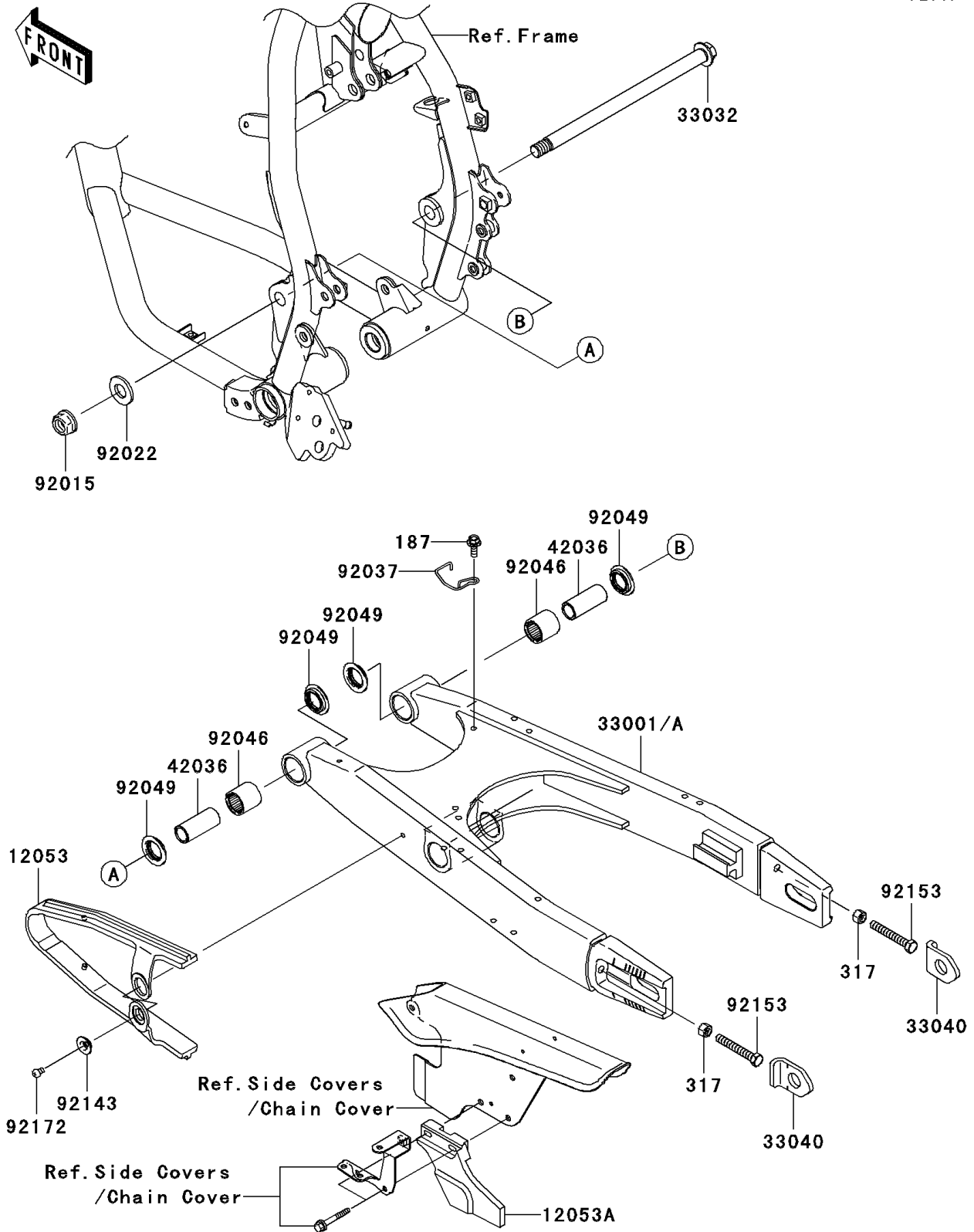


2008 KLR™ 650 PARTS DIAGRAM

Swingarm

F2141



2008 KLR™ 650 PARTS LIST

Swingarm

ITEM NAME	PART NUMBER	QUANTITY
BOLT-UPSET-WSP,6X16 (Ref # 187)	187BA0616	1
NUT-HEX-SMALL,8MM (Ref # 317)	317BA0800	2
GUIDE-CHAIN (Ref # 12053)	12053-0082	1
GUIDE-CHAIN,RR (Ref # 12053A)	12053-1104	1
ARM-COMP-SWING,P.SILVER (Ref # 33001)	33001-0102-458	1
SHAFT-SWING ARM (Ref # 33032)	33032-1128	1
ADJUSTER-CHAIN (Ref # 33040)	33040-0024	2
SLEEVE,15X20X47.5 (Ref # 42036)	42036-1204	2
NUT,14MM (Ref # 92015)	92015-1459	1
WASHER,16X32X3.2 (Ref # 92022)	92022-1701	1
CLAMP,HOSE (Ref # 92037)	92037-1902	1
BEARING-NEEDLE,BM202726 (Ref # 92046)	92046-1110	2
SEAL-OIL,ARM (Ref # 92049)	92049-1109	4
COLLAR (Ref # 92143)	92143-1676	1
BOLT,8X55 (Ref # 92153)	92153-1407	2
SCREW,5X8 (Ref # 92172)	92172-0119	1