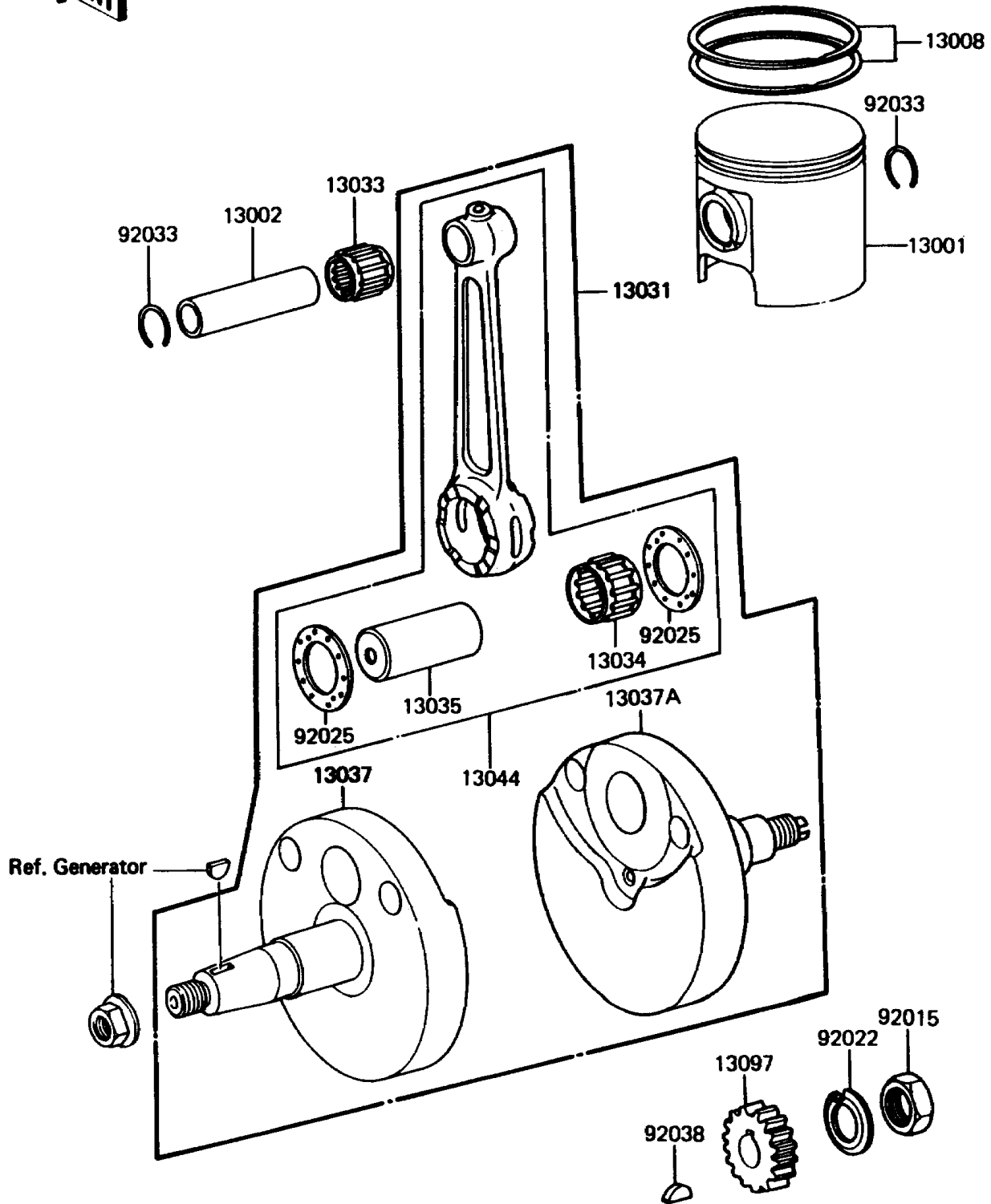


1988 KX60 PARTS DIAGRAM

Crankshaft/Piston(s)

E1320-0017



1988 KX60 PARTS LIST

Crankshaft/Piston(s)

ITEM NAME	PART NUMBER	QUANTITY
PISTON-ENGINE,(B) (Ref # 13001)	13001-1080	1
PIN-PISTON (Ref # 13002)	13002-1020	1
RING-SET-PISTON (Ref # 13008)	13008-5050	1
CRANKSHAFT-COMP (Ref # 13031)	13031-1169	1
BEARING-NEEDLE,72KTV030 (Ref # 13033)	13033-028	1
BEARING-BIG END,SKT202714EGS (Ref # 13034)	13034-1033	1
PIN-CRANK (Ref # 13035)	13035-1002	1
CRANKSHAFT,LH (Ref # 13037)	13037-1204	1
CRANKSHAFT,RH (Ref # 13037A)	13037-1220	1
SET-CONNECTING ROD (Ref # 13044)	13044-5024	1
GEAR-PRIMARY SPUR,22T (Ref # 13097)	13097-1055	1
NUT,12MM (Ref # 92015)	92015-006	1
WASHER,CLAW,12.5X25X0.8 (Ref # 92022)	92024-003	1
SHIM,20X34.5X1.0 (Ref # 92025)	92025-005	2
RING-SNAP,PISTON PIN (Ref # 92033)	92036-007	2
KEY,WOODRUFF (Ref # 92038)	92038-003	1