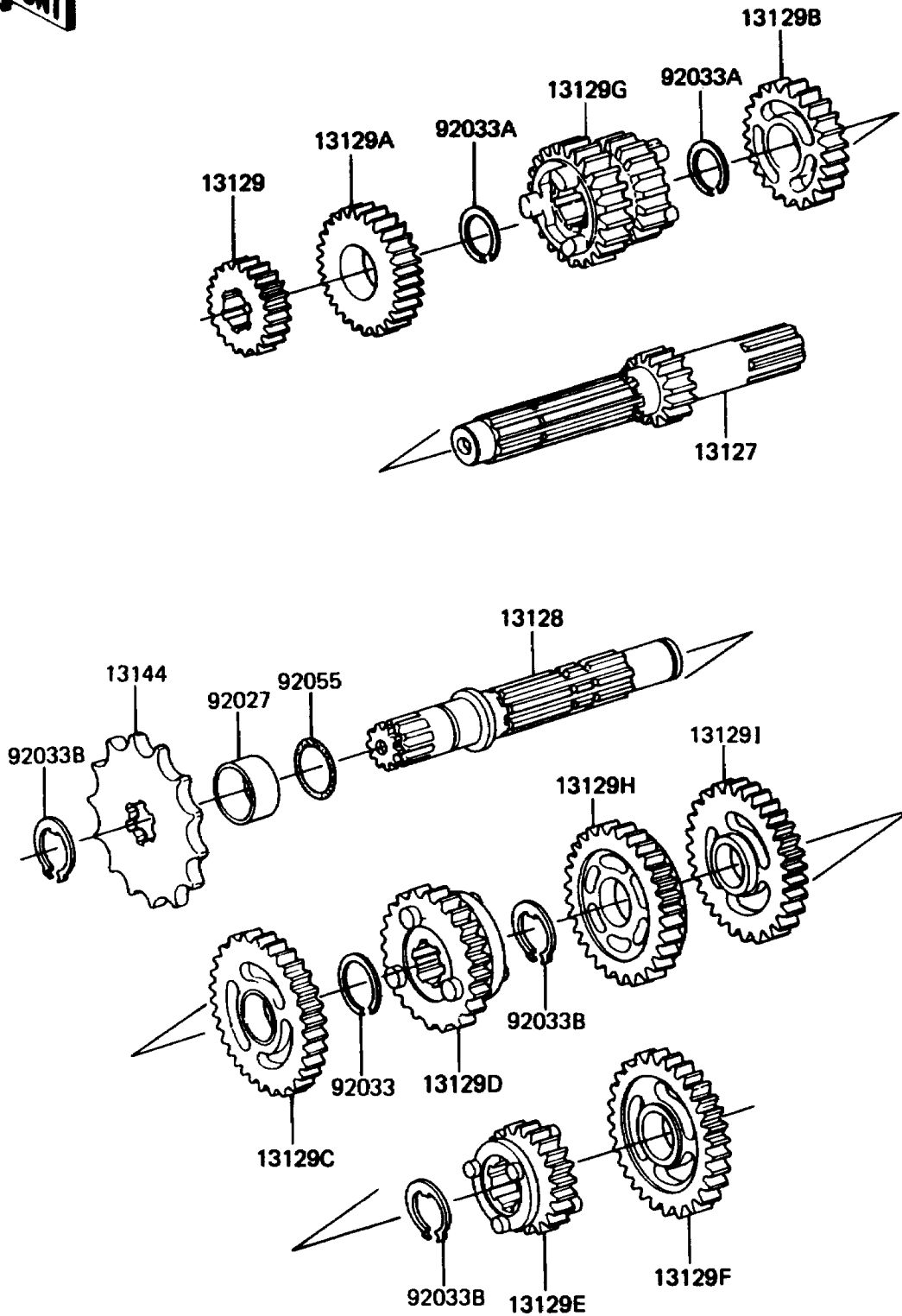


1985 KX60 PARTS DIAGRAM

Transmission

E1361-0150



1985 KX60 PARTS LIST

Transmission

| ITEM NAME | PART NUMBER | QUANTITY |
|--|-------------|----------|
| SHAFT-TRANSMISSION INPUT,13T (Ref # 13127) | 13127-1105 | 1 |
| SHAFT-TRANSMISSION OUTPUT (Ref # 13128) | 13128-1028 | 1 |
| GEAR,INPUT 2ND,16T (Ref # 13129) | 13129-1215 | 1 |
| GEAR,INPUT 5TH,23T (Ref # 13129A) | 13129-1343 | 1 |
| GEAR,INPUT TOP,24T (Ref # 13129B) | 13129-1344 | 1 |
| GEAR,OUTPUT 2ND,34T (Ref # 13129C) | 13129-1345 | 1 |
| GEAR,OUTPUT 5TH,28T (Ref # 13129D) | 13129-1348 | 1 |
| GEAR,OUTPUT TOP,26T (Ref # 13129E) | 13129-1349 | 1 |
| GEAR,OUTPUT LOW,37T (Ref # 13129F) | 13129-1515 | 1 |
| GEAR,INPUT 3RD&4TH,21T&18T (Ref # 13129G) | 13129-1611 | 1 |
| GEAR,OUTPUT 4TH,30T (Ref # 13129H) | 13129-1612 | 1 |
| GEAR,OUTPUT 3RD,31T (Ref # 13129I) | 13129-1654 | 1 |
| SPROCKET-OUTPUT,13T (Ref # 13144) | 13144-1023 | 1 |
| COLLAR,20X25X12.5 (Ref # 92027) | 92027-1077 | 1 |
| RING-SNAP,18MM (Ref # 92033) | 92033-029 | 1 |
| RING-SNAP,17MM (Ref # 92033A) | 92033-1060 | 2 |
| RING-SNAP,18MM (Ref # 92033B) | 92033-1079 | 3 |
| RING-O,17.5X1.5 (Ref # 92055) | 92055-022 | 1 |