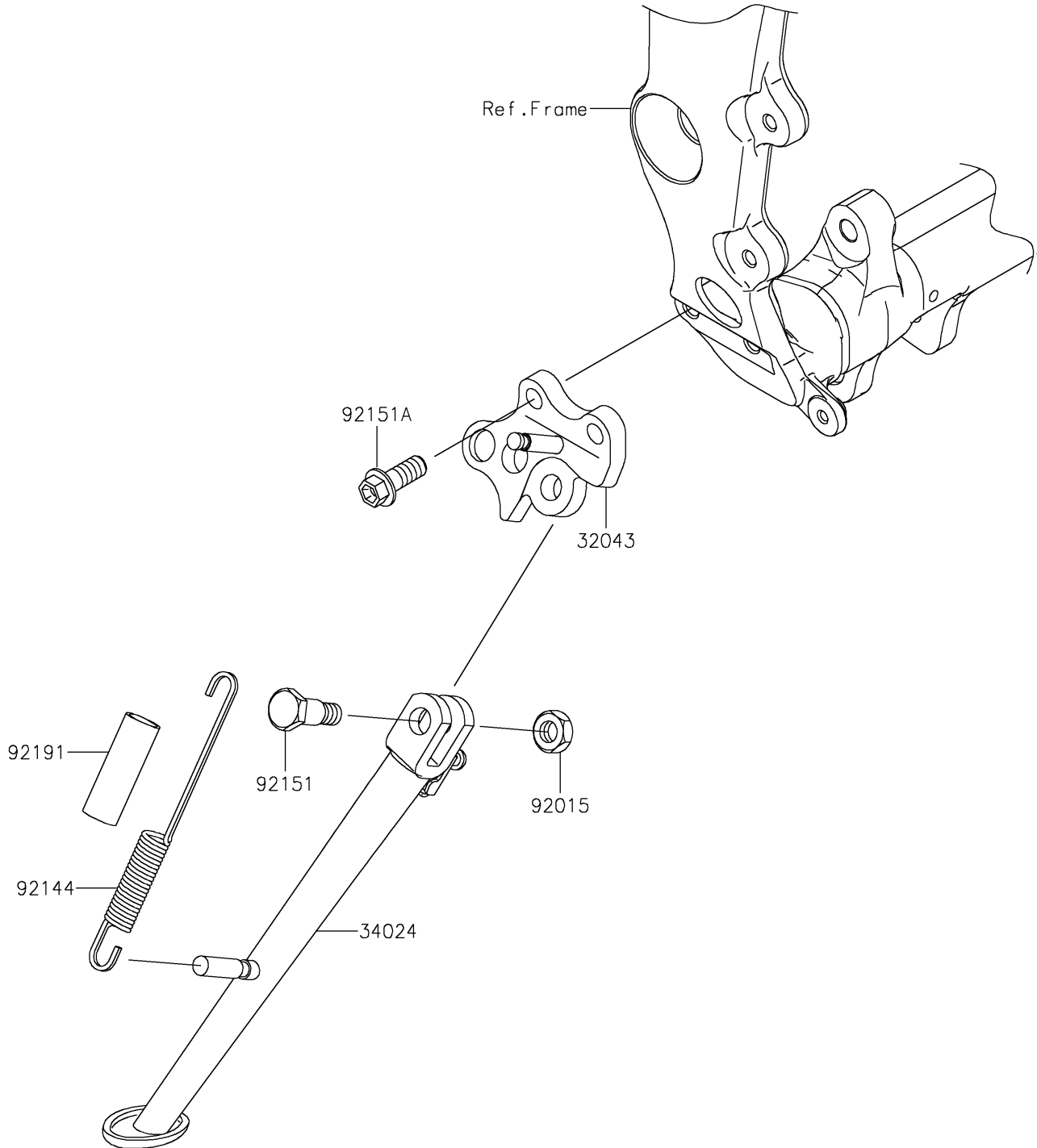


2022 Ninja ZX-6R PARTS DIAGRAM

Stand(s)

F2190



2022 Ninja ZX-6R PARTS LIST

Stand(s)

| ITEM NAME | PART NUMBER | QUANTITY |
|--|----------------|----------|
| BRACKET-STAND,SIDE,F.S.BLACK (Ref # 32043) | 32043-0059-18R | 1 |
| STAND-SIDE (Ref # 34024) | 34024-0065 | 1 |
| NUT,LOCK,10MM,BLACK (Ref # 92015) | 92015-1188 | 1 |
| SPRING,SIDE STAND (Ref # 92144) | 92144-1818 | 1 |
| BOLT,SIDE STAND (Ref # 92151) | 92151-1797 | 1 |
| BOLT,FLANGED,10X25 (Ref # 92151A) | 92151-1802 | 2 |
| TUBE,13X16X60 (Ref # 92191) | 92191-1001 | 1 |