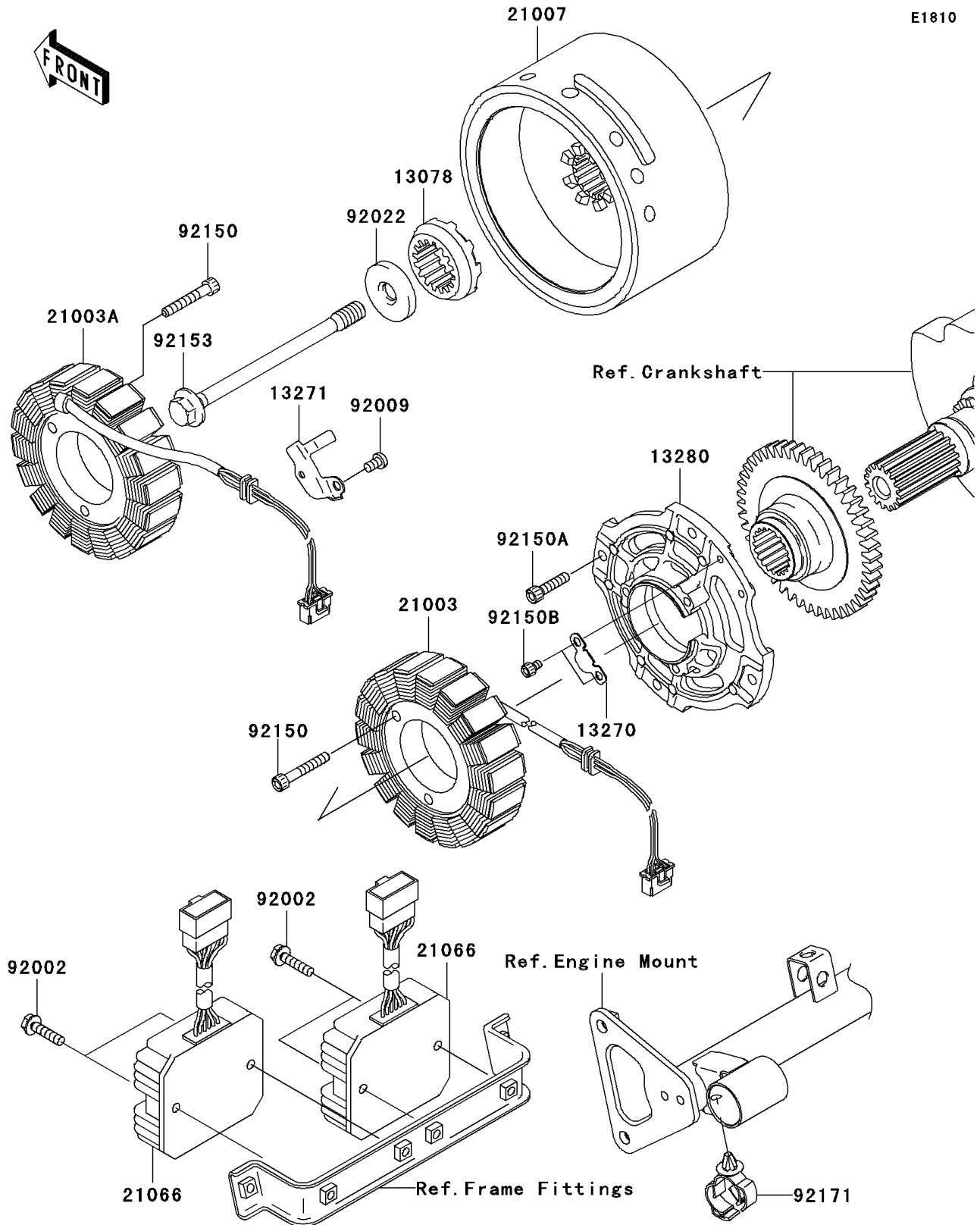


2006 Vulcan 1600 Nomad PARTS DIAGRAM

Generator

E1810



2006 Vulcan 1600 Nomad PARTS LIST

Generator

| ITEM NAME | PART NUMBER | QUANTITY |
|---------------------------------|-------------|----------|
| RATCHET (Ref # 13078) | 13078-1066 | 1 |
| PLATE (Ref # 13270) | 13270-1925 | 1 |
| PLATE (Ref # 13271) | 13271-1325 | 1 |
| HOLDER (Ref # 13280) | 13280-1069 | 1 |
| STATOR,INNER (Ref # 21003) | 21003-0007 | 1 |
| STATOR,OUTER (Ref # 21003A) | 21003-0008 | 1 |
| ROTOR (Ref # 21007) | 21007-1369 | 1 |
| REGULATOR-VOLTAGE (Ref # 21066) | 21066-1106 | 2 |
| BOLT,FLANGED,6X25 (Ref # 92002) | 92002-1086 | 4 |
| SCREW (Ref # 92009) | 92009-1768 | 1 |
| WASHER,12X40X6 (Ref # 92022) | 92022-1904 | 1 |
| BOLT,SOCKET,6X35 (Ref # 92150) | 92150-1484 | 6 |
| BOLT,SOCKET,6X22 (Ref # 92150A) | 92150-1654 | 4 |
| BOLT,5X8 (Ref # 92150B) | 92150-1955 | 2 |
| BOLT,12X154 (Ref # 92153) | 92153-1105 | 1 |
| CLAMP,CLIP,DIA=20 (Ref # 92171) | 92171-0068 | 1 |