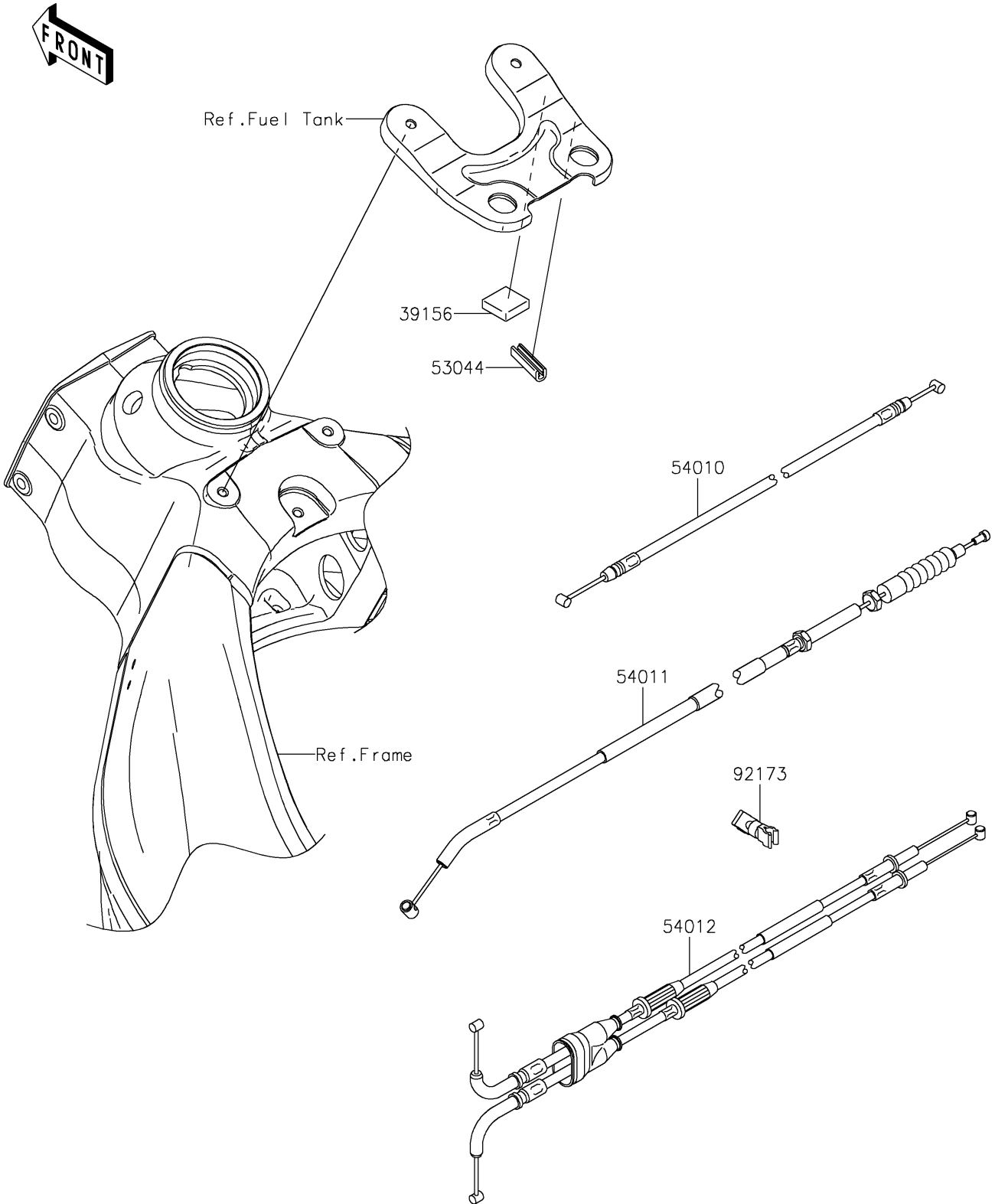


2022 Ninja ZX-6R PARTS DIAGRAM

Cables

F2540



2022 Ninja ZX-6R PARTS LIST

Cables

ITEM NAME	PART NUMBER	QUANTITY
PAD,RUBBER (Ref # 39156)	39156-0548	1
TRIM,L=30 (Ref # 53044)	53044-0001	1
CABLE,SEAT LOCK (Ref # 54010)	54010-0074	1
CABLE-CLUTCH (Ref # 54011)	54011-0100	1
CABLE-THROTTLE (Ref # 54012)	54012-0277	1
CLAMP (Ref # 92173)	92173-0070	1