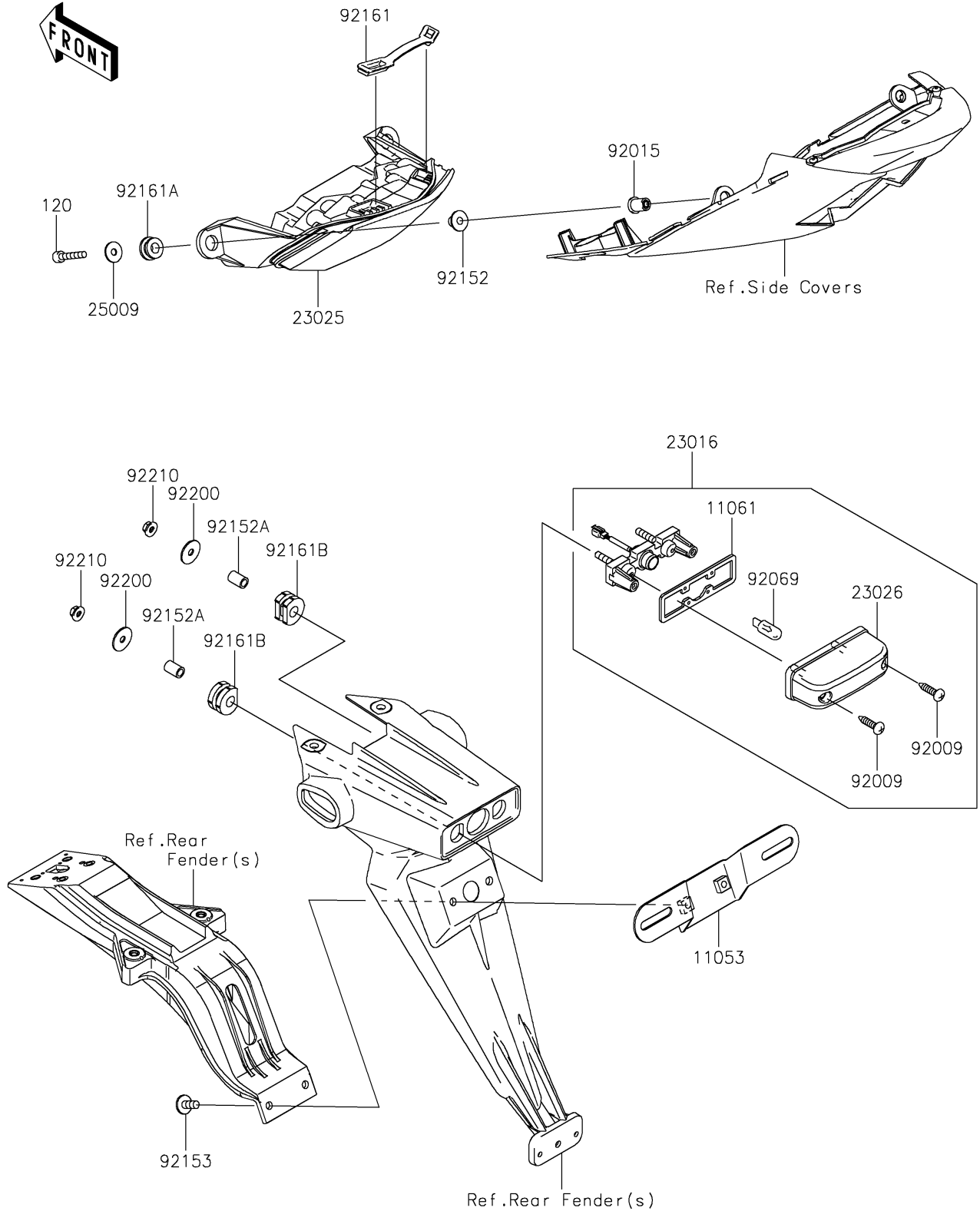


# 2022 Ninja ZX-6R PARTS DIAGRAM

Taillight(s)

F2720



# 2022 Ninja ZX-6R PARTS LIST

Taillight(s)

ITEM NAME	PART NUMBER	QUANTITY
-----------	-------------	----------