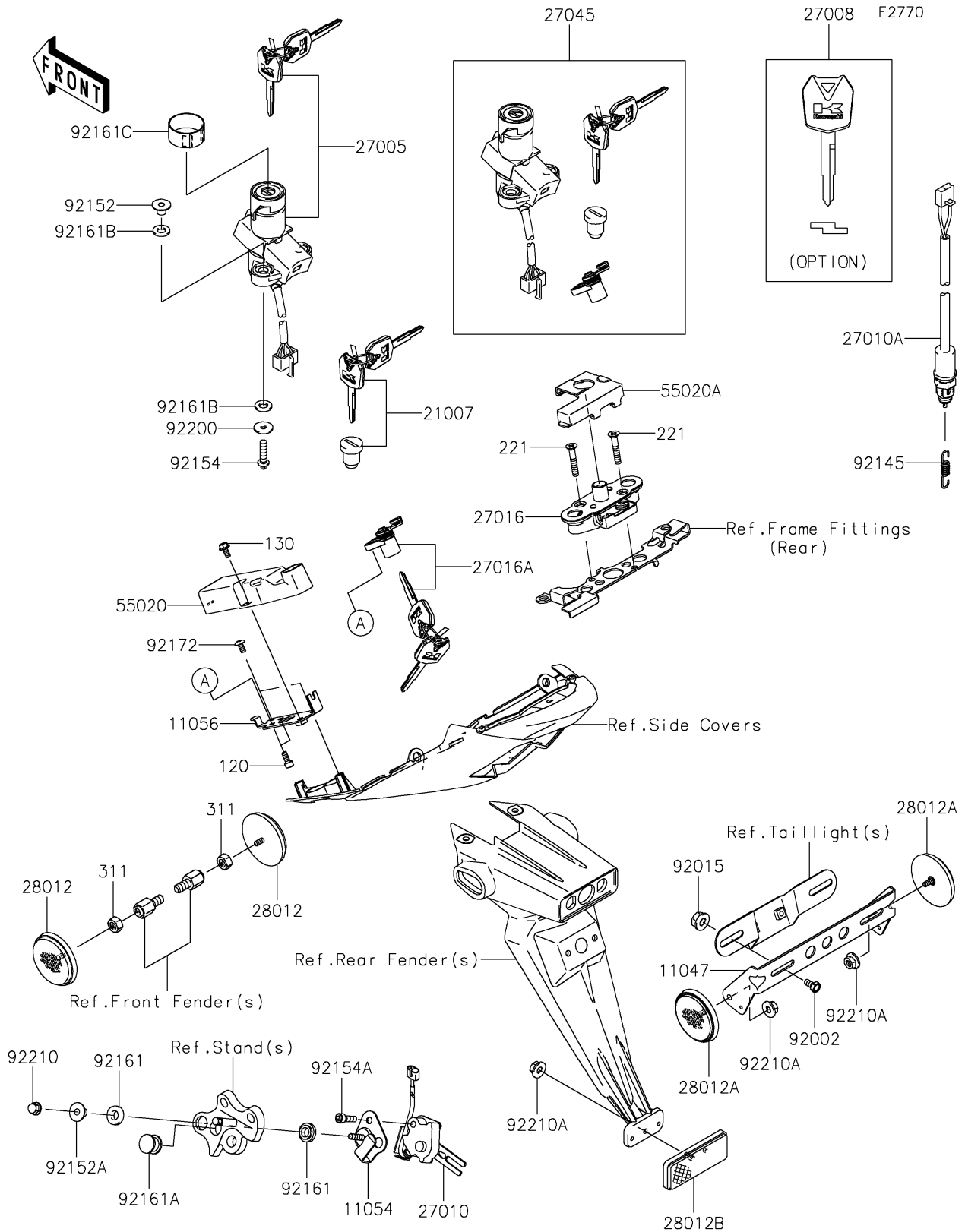


2022 Ninja ZX-6R PARTS DIAGRAM

Ignition Switch/Locks/Reflectors



2022 Ninja ZX-6R PARTS LIST

Ignition Switch/Locks/Reflectors

| ITEM NAME | PART NUMBER | QUANTITY |
|---|-------------|----------|
| BRACKET,REFLECTOR (Ref # 11047) | 11047-1470 | 1 |
| BRACKET,SIDE STAND SWITCH (Ref # 11054) | 11054-1904 | 1 |
| BRACKET,SEAT LOCK (Ref # 11056) | 11056-0167 | 1 |
| ROTOR,LOCK,TANK CAP (Ref # 21007) | 21007-5057 | 1 |
| SWITCH-ASSY-IGNITION (Ref # 27005) | 27005-5137 | 1 |
| KEY-LOCK,BLANK (Ref # 27008) | 27008-0618 | 1 |
| SWITCH,SIDE STAND (Ref # 27010) | 27010-0100 | 1 |
| SWITCH,REAR BRAKE (Ref # 27010A) | 27010-1479 | 1 |
| LOCK-ASSY,SEAT STRIKER (Ref # 27016) | 27016-0003 | 1 |
| LOCK-ASSY,SEAT (Ref # 27016A) | 27016-5309 | 1 |
| SWITCH-ASSY (Ref # 27045) | 27045-5336 | 1 |
| REFLECTOR-REFLEX,FR,SIDE (Ref # 28012) | 28012-0001 | 2 |
| REFLECTOR-REFLEX (Ref # 28012A) | 28012-0002 | 2 |
| REFLECTOR-REFLEX (Ref # 28012B) | 28012-1077 | 1 |
| GUARD,SEAT LOCK (Ref # 55020) | 55020-0411 | 1 |
| GUARD,SEAT STRIKER (Ref # 55020A) | 55020-0483 | 1 |
| BOLT,6X12 (Ref # 92002) | 92002-1132 | 2 |
| NUT,FLANGED,6MM (Ref # 92015) | 92015-1367 | 2 |
| SPRING,REAR BRAKE SWITCH (Ref # 92145) | 92145-1890 | 1 |
| COLLAR (Ref # 92152) | 92152-0352 | 2 |
| COLLAR (Ref # 92152A) | 92152-1074 | 1 |
| BOLT,TORX,6X22 (Ref # 92154) | 92154-1858 | 2 |
| BOLT,SOCKET,6X22 (Ref # 92154A) | 92154-1898 | 1 |
| DAMPER (Ref # 92161) | 92161-0117 | 2 |
| DAMPER (Ref # 92161A) | 92161-0118 | 1 |
| DAMPER,IGNITION SWITCH (Ref # 92161B) | 92161-0240 | 4 |
| DAMPER,IGNITION SWITCH (Ref # 92161C) | 92161-0257 | 1 |
| SCREW,TAPPING,5X10 (Ref # 92172) | 92172-0262 | 2 |
| WASHER,6X20X1.6 (Ref # 92200) | 92200-0212 | 2 |

2022 Ninja ZX-6R PARTS LIST

Ignition Switch/Locks/Reflectors

| ITEM NAME | PART NUMBER | QUANTITY |
|---------------------------------|-------------|----------|
| NUT,CAP,6MM (Ref # 92210) | 92210-0003 | 1 |
| NUT,FLANGED,5MM (Ref # 92210A) | 92210-0007 | 3 |
| BOLT-SOCKET,5X12 (Ref # 120) | 120CB0512 | 2 |
| BOLT-FLANGED,5X10 (Ref # 130) | 130AA0510 | 1 |
| SCREW-CSK-CROS,6X35 (Ref # 221) | 221AB0635 | 2 |
| NUT-HEX,5MM (Ref # 311) | 311AB0500 | 2 |