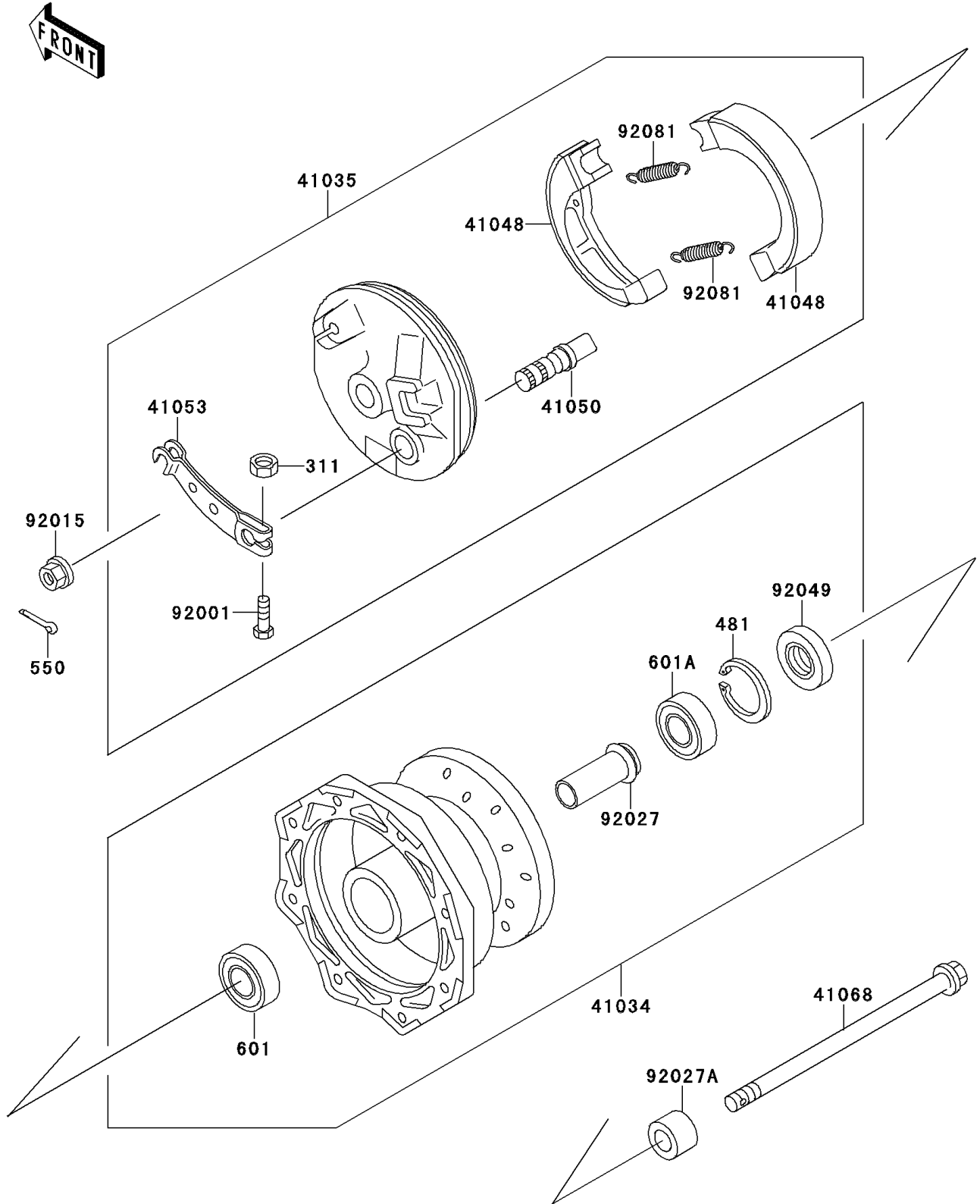


1995 KX60 PARTS DIAGRAM

Front Hub

F2230



1995 KX60 PARTS LIST

Front Hub

| ITEM NAME | PART NUMBER | QUANTITY |
|---|-------------|----------|
| NUT-HEX (Ref # 311) | 311G0500 | 1 |
| CIRCLIP-TYPE-C,35MM (Ref # 481) | 481J3500 | 1 |
| PIN-COTTER,2.5X20 (Ref # 550) | 550D2520 | 1 |
| BEARING-BALL,#6200UUC3 (Ref # 601) | 601B6200UU | 1 |
| BEARING-BALL,#6300UUC3 (Ref # 601A) | 601B6300UU | 1 |
| DRUM-ASSY,FRONT BRAKE (Ref # 41034) | 41034-1168 | 1 |
| PANEL-ASSY-BRAKE,FR (Ref # 41035) | 41035-1285 | 1 |
| SHOE-BRAKE (Ref # 41048) | 41048-1083 | 2 |
| CAM-BRAKE (Ref # 41050) | 41050-1031 | 1 |
| LEVER-BRAKE CAM,FR (Ref # 41053) | 41053-1027 | 1 |
| AXLE,FR (Ref # 41068) | 41068-1305 | 1 |
| BOLT,5X25 (Ref # 92001) | 92001-1695 | 1 |
| NUT,FLANGED,10MM (Ref # 92015) | 92015-1335 | 1 |
| COLLAR,FRONT DRUM,L=54 (Ref # 92027) | 92027-1470 | 1 |
| COLLAR,FRONT AXLE,L=14.5 (Ref # 92027A) | 92027-1472 | 1 |
| SEAL-OIL,DD20357 (Ref # 92049) | 92049-1095 | 1 |
| SPRING,BRAKE SHOE (Ref # 92081) | 92081-1564 | 2 |