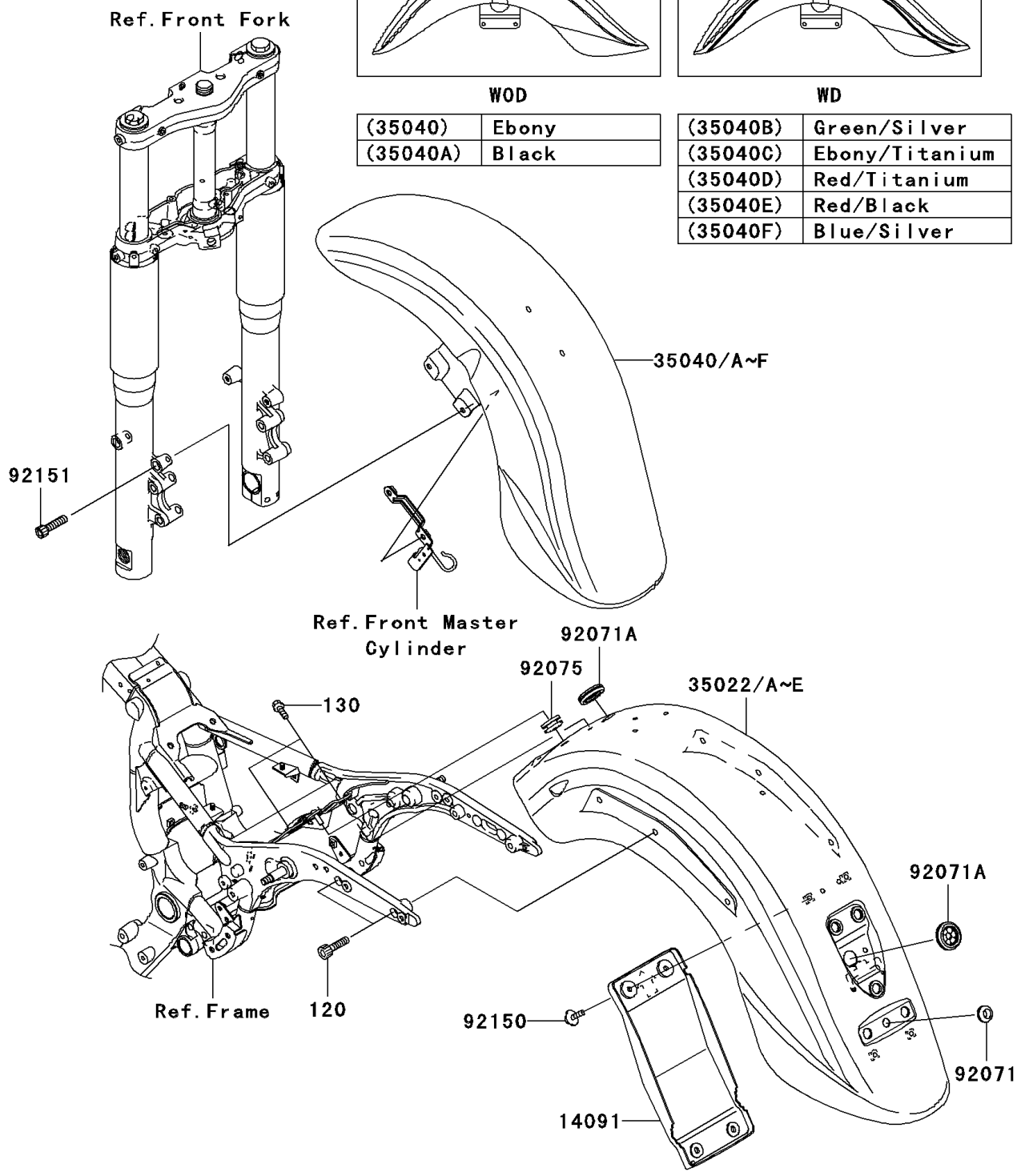


2008 Vulcan® 1600 Nomad™ PARTS DIAGRAM

Fenders

F2170



2008 Vulcan® 1600 Nomad™ PARTS LIST

Fenders

ITEM NAME	PART NUMBER	QUANTITY
BOLT-SOCKET,8X30 (Ref # 120)	120S0830	4
BOLT-FLANGED,8X16 (Ref # 130)	130J0816	2
COVER,TAIL LAMP (Ref # 14091)	14091-0370	1
FENDER-COMP-REAR,M.BLACK (Ref # 35022B)	35022-0024-17K	1
FENDER-COMP-FRONT,M.BLACK (Ref # 35040A)	35040-0012-17K	1
GROMMET,10MM (Ref # 92071)	92071-019	1
GROMMET (Ref # 92071A)	92071-1265	2
DAMPER (Ref # 92075)	92075-1067	1
BOLT,FLANGED,6X14 (Ref # 92150)	92150-1689	4
BOLT,SOCKET,8X35 (Ref # 92151)	92151-1535	4