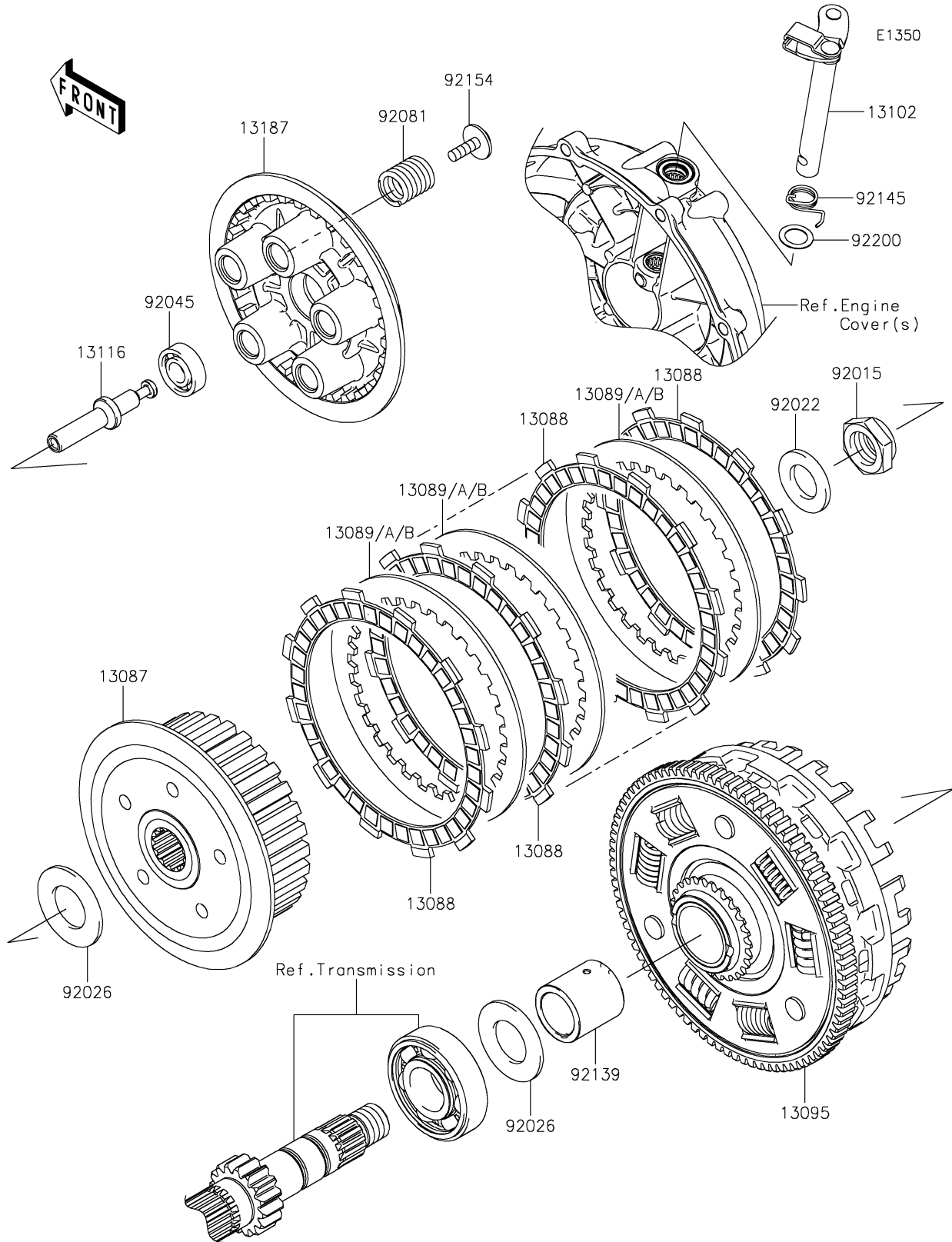


# 2021 VULCAN® S ABS CAFE PARTS DIAGRAM

Clutch



# 2021 VULCAN® S ABS CAFE PARTS LIST

Clutch

ITEM NAME	PART NUMBER	QUANTITY
-----------	-------------	----------