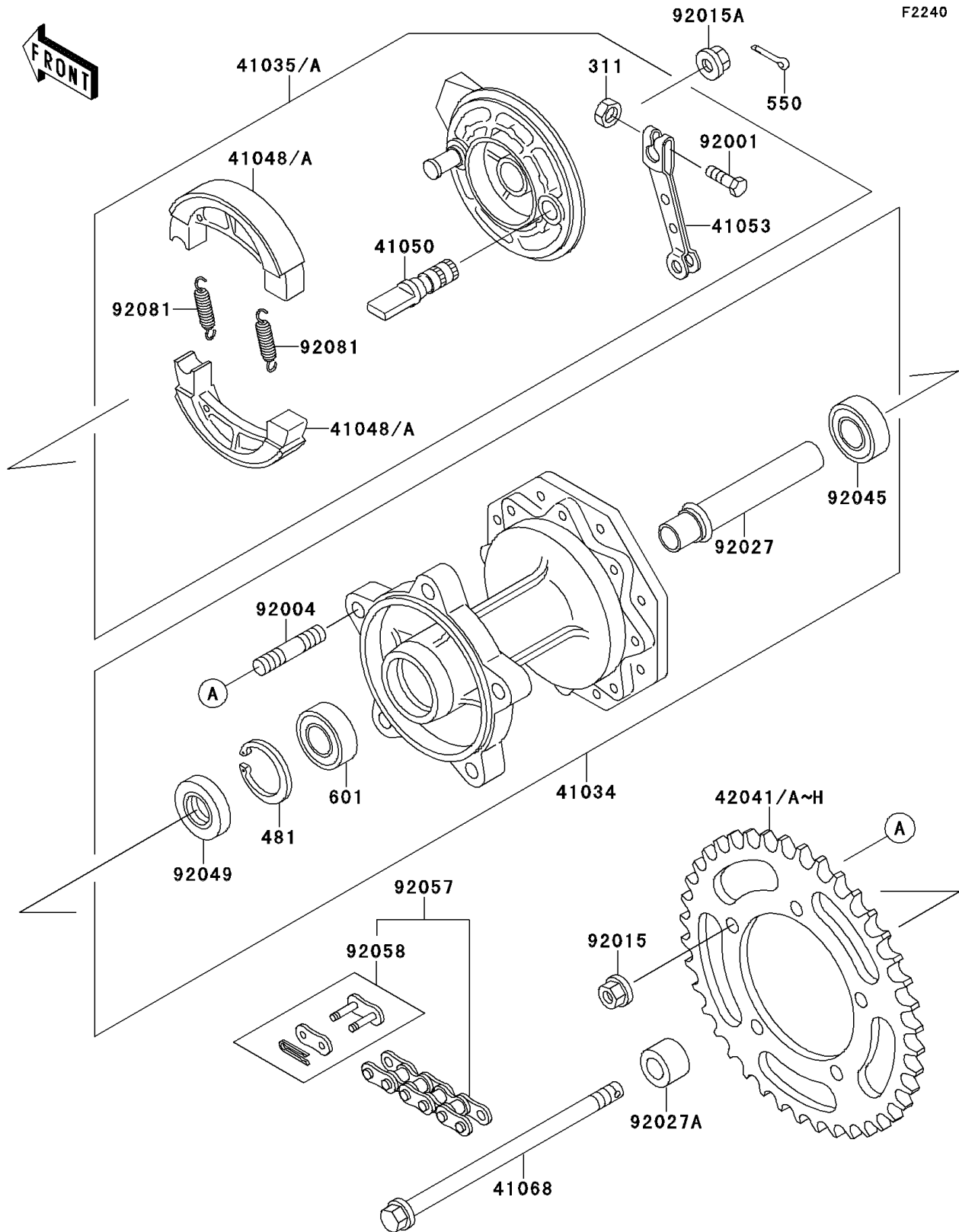


# 1991 KX60 PARTS DIAGRAM

Rear Hub



# 1991 KX60 PARTS LIST

Rear Hub

ITEM NAME	PART NUMBER	QUANTITY
-----------	-------------	----------