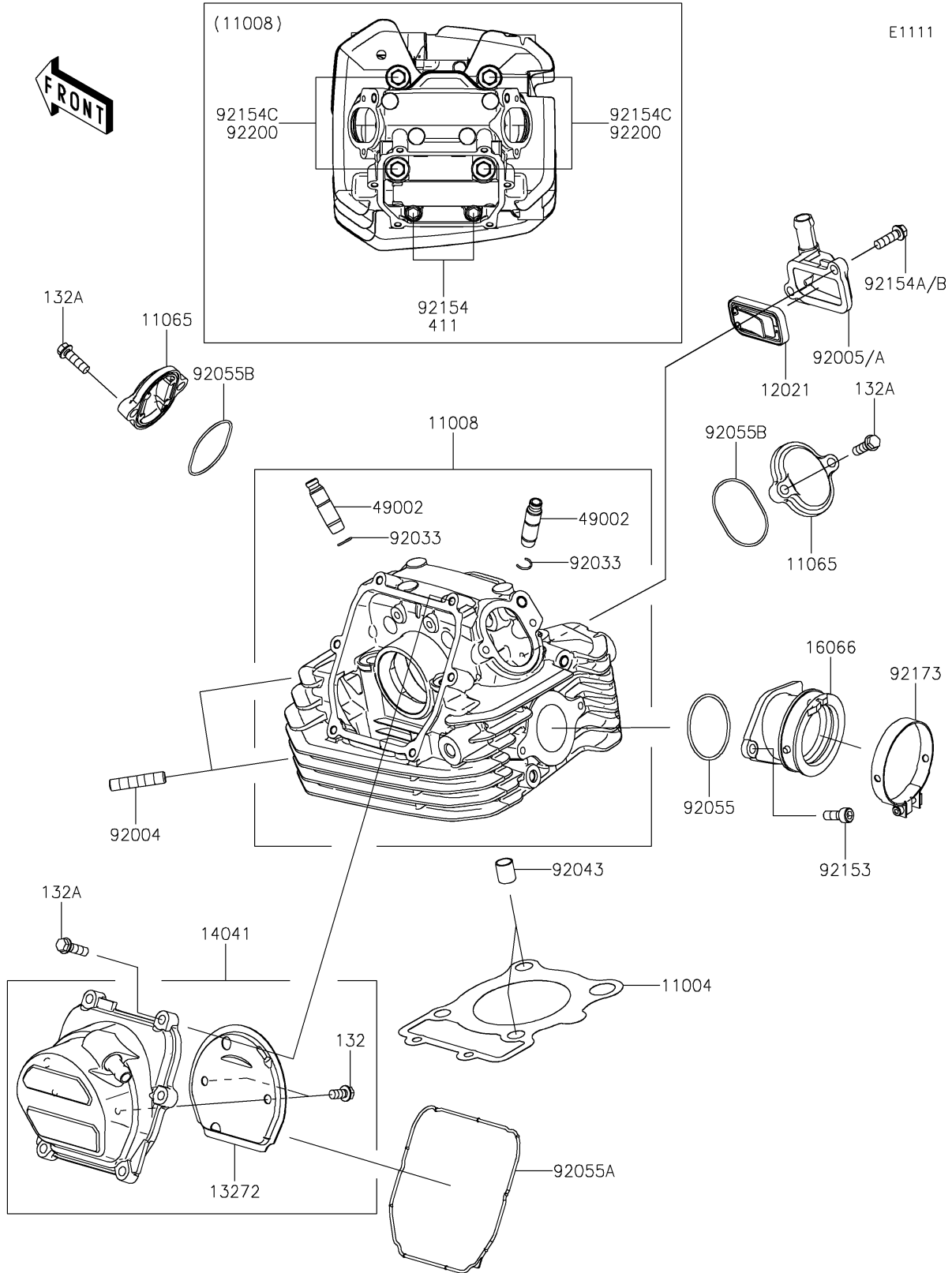


2021 KLX® 230R PARTS DIAGRAM

Cylinder Head



2021 KLX® 230R PARTS LIST

Cylinder Head

ITEM NAME	PART NUMBER	QUANTITY
-----------	-------------	----------