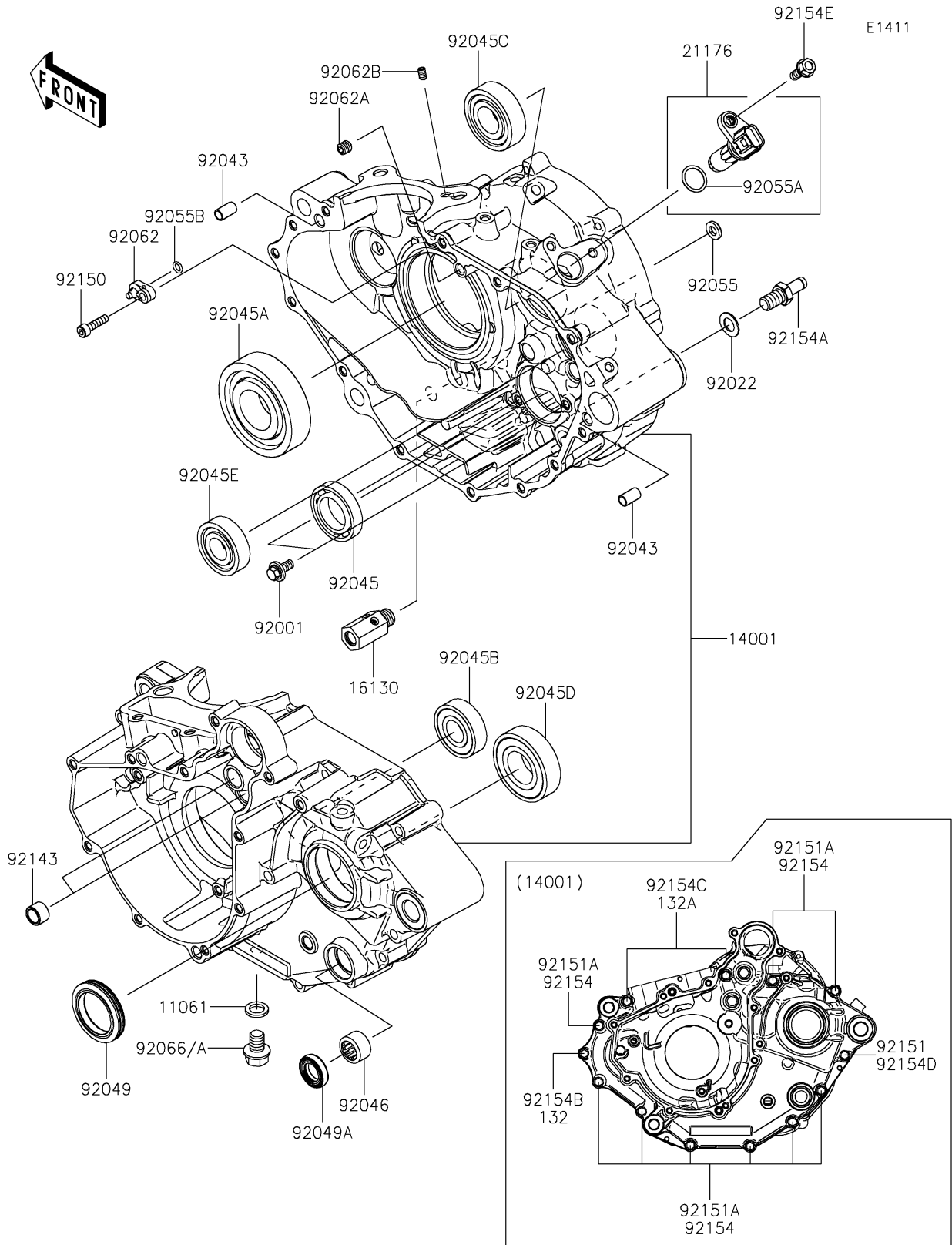


# 2021 KLX® 230R PARTS DIAGRAM

## Crankcase



# 2021 KLX®230R PARTS LIST

Crankcase

ITEM NAME	PART NUMBER	QUANTITY
-----------	-------------	----------